

F

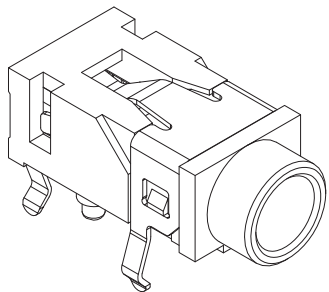
E

D

C

B

A



RoHS
Compliant

ZONE	SYMBOL	REVISION	APPROVAL	DATE
		ADD MATE PLUG	J.X.KUANG	6-1-2012

1

1

2

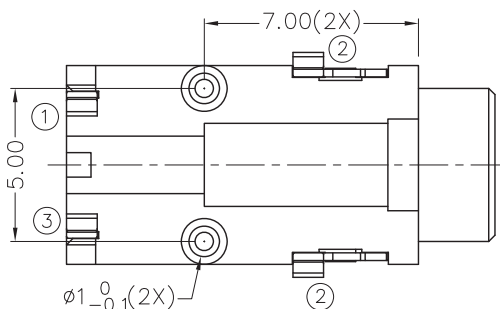
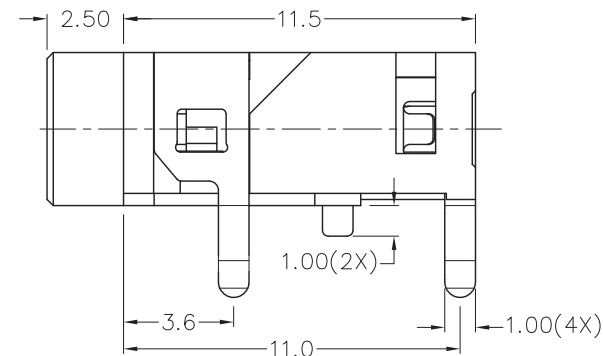
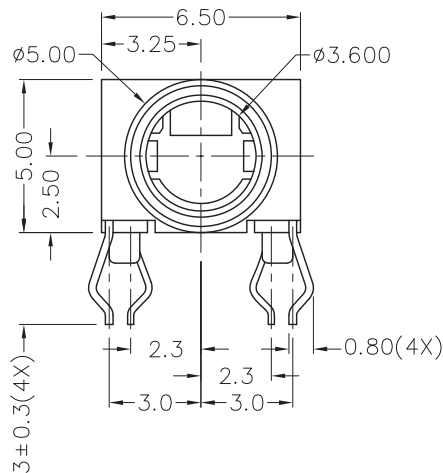
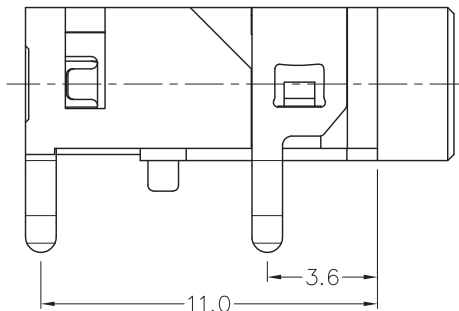
2

3

3

4

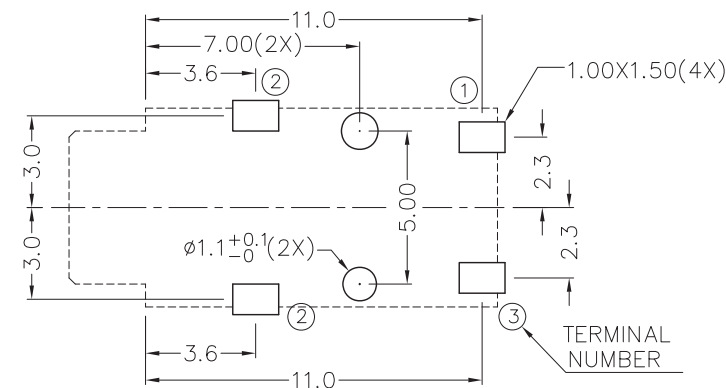
4



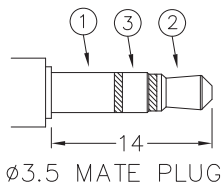
* MATERIAL

- TERMINAL 1 : COPPER ALLOY
- TERMINAL 2 : COPPER ALLOY
- TERMINAL 3 : COPPER ALLOY
- HOUSING : PA66

MODEL NO.	TSH-3733
SCHEMATIC	



PCB LAYOUT
(TOP VIEW)



CHAMPWAY 冠泰電子有限公司
CHAMPWAY ELECTRONICS CO., LTD.

PART NAME	3.5mm STEREO JACK	TOLERANCE UNLESS	0.0±0.2	UNIT:	mm
PART NO.	TSH-373	OTHERWISE SPECIFIED:	0.00±0.1 0.000±0.05		

DESIGN	J.X.KUANG	DATE	7-10-2003	SCALE	4:1
DRAWING	CH.XIONG	DATE	6-1-2012	MATERIAL	*
CHECK		DATE		DWG. NO.	TZ\SH373-PA66/C
APPROVAL		DATE		SHEET	A

F

E

D

C

B

A