

F

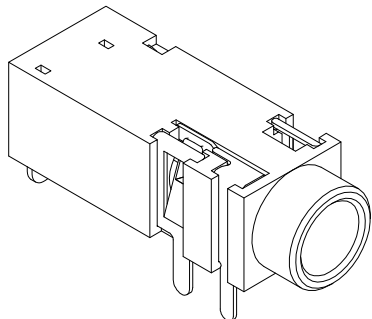
E

D

C

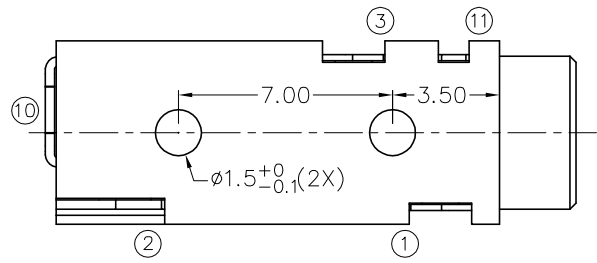
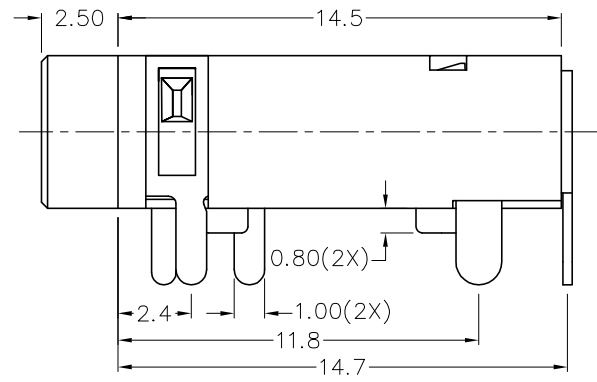
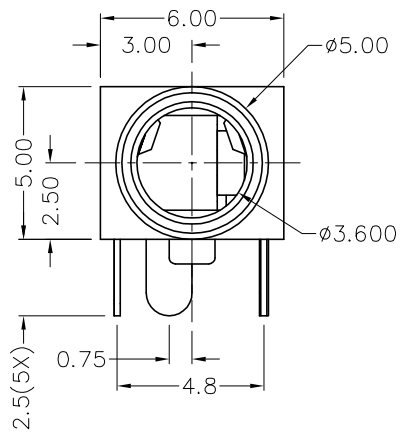
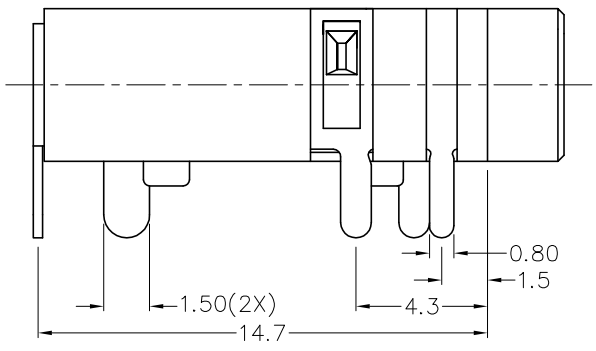
B

A



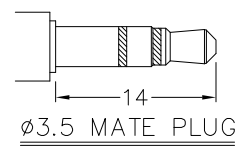
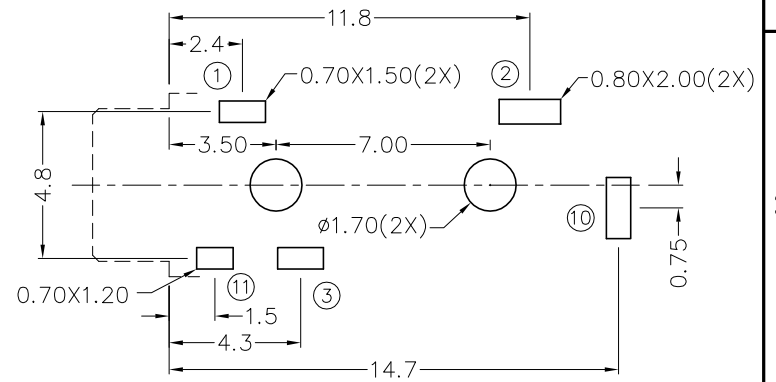
RoHS
Compliant

ZONE	SYMBOL	REVISION	APPROVAL	DATE
		ADD MODEL NO.	J.X.KUANG	24-4-2007



* MATERIAL

- TERMINAL 1 : COPPER ALLOY
- TERMINAL 2 : COPPER ALLOY
- TERMINAL 3 : COPPER ALLOY
- TERMINAL 10 : BRASS
- TERMINAL 11 : BRASS
- HOUSING : PA66



MODEL NO.	TSH-3765	TSH-3764A	TSH-3764B	TSH-3763	TSH-3763A	TSH-3762
SCHEMATIC						

RECOMMENDED
(BOTTOM VIEW)

CHAMPWAY 冠泰電子有限公司
CHAMPWAY ELECTRONICS CO., LTD.

DESIGN	J.X.KUANG	DATE	7-10-2003	SCALE	4:1
DRAWING	L.L.ZHANG	DATE	24-4-2007	MATERIAL	*
CHECK		DATE		DWG. NO.	TZ\SH376-PA66/D
APPROVAL		DATE		SHEET	

PART NAME	3.5mm STEREO JACK	TOLERANCE UNLESS	0.0±0.2	UNIT:
PART NO.	TSH-376	OTHERWISE SPECIFIED:	0.00±0.1 0.000±0.05	

F

E

D

C

B

A

DCF-04/A