

F

E

D

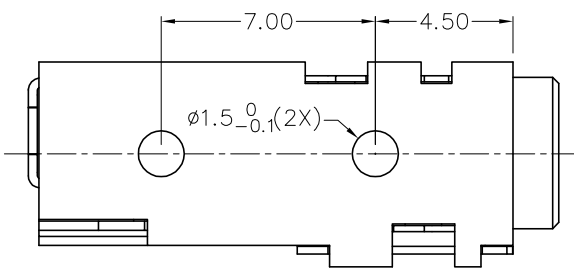
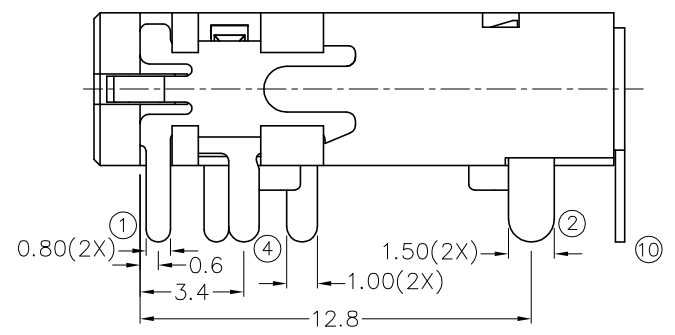
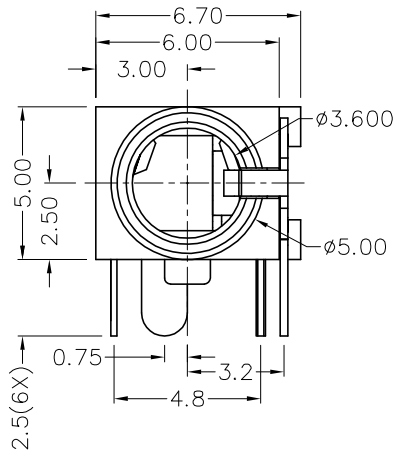
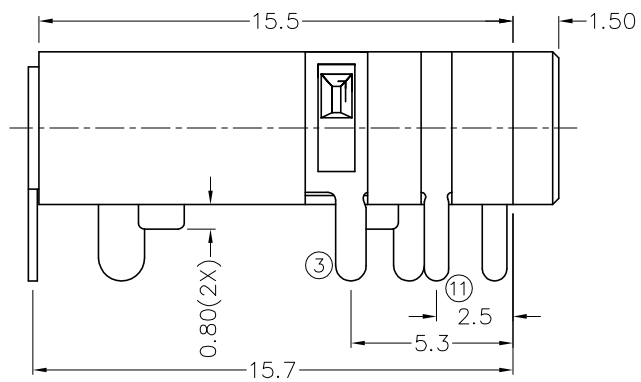
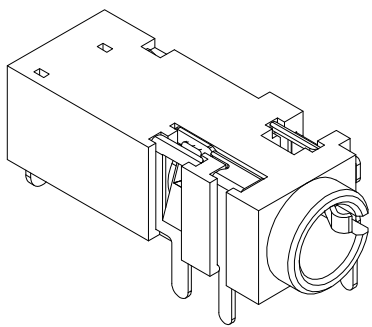
C

B

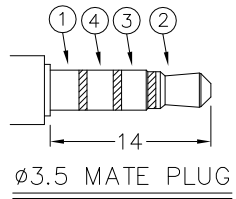
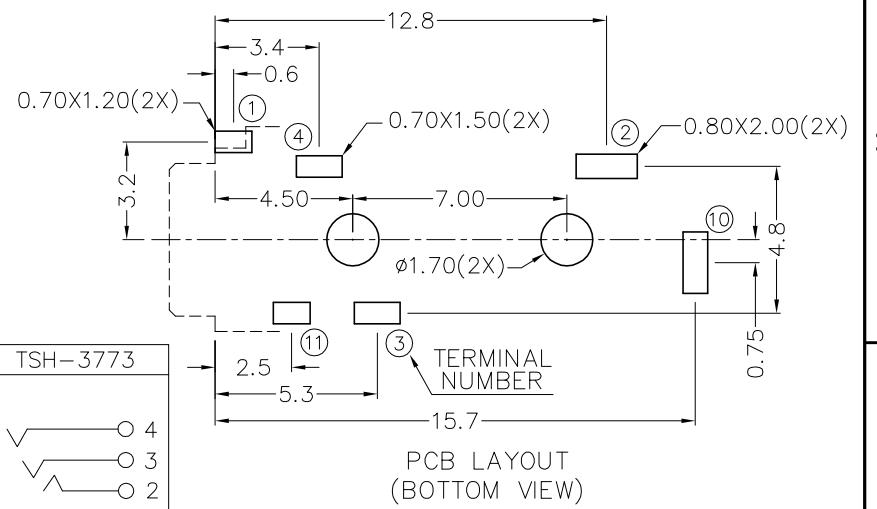
A

RoHS  
Compliant

ZONE	SYMBOL	REVISION	APPROVAL	DATE
		ADD MODEL NO.	J.X.KUANG	13-3-2008



\* MATERIAL  
 TERMINAL 1 : COPPER ALLOY  
 TERMINAL 2 : COPPER ALLOY  
 TERMINAL 3 : COPPER ALLOY  
 TERMINAL 4 : COPPER ALLOY  
 TERMINAL 10 : BRASS  
 TERMINAL 11 : BRASS  
 HOUSING : PA66



MODEL NO.	TSH-3776	TSH-3775A	TSH-3775B	TSH-3774	TSH-3773
SCHEMATIC					

**CHAMPWAY** 冠泰電子有限公司  
 CHAMPWAY ELECTRONICS CO., LTD.

PART NAME	3.5mm STEREO JACK	TOLERANCE UNLESS	0.0±0.2	UNIT: mm
PART NO.	TSH-377	OTHERWISE SPECIFIED:	0.00±0.1 0.000±0.05	

DESIGN	J.X.KUANG	DATE	7-10-2003	SCALE	4:1
DRAWING	L.L.ZHANG	DATE	13-3-2008	MATERIAL	*
CHECK		DATE		DWG. NO.	TZ\SH377-PA66/D
APPROVAL		DATE		SHEET	

F

E

D

C

B

A