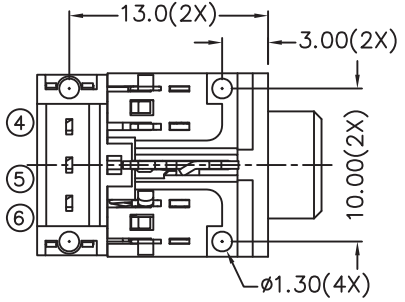
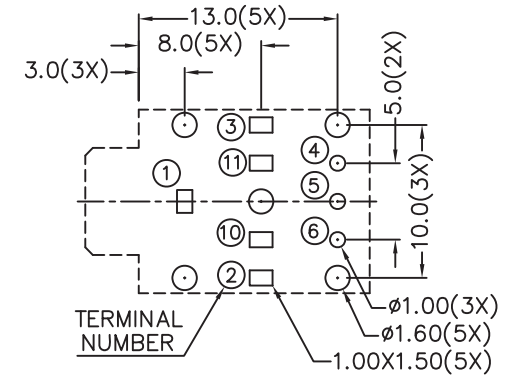
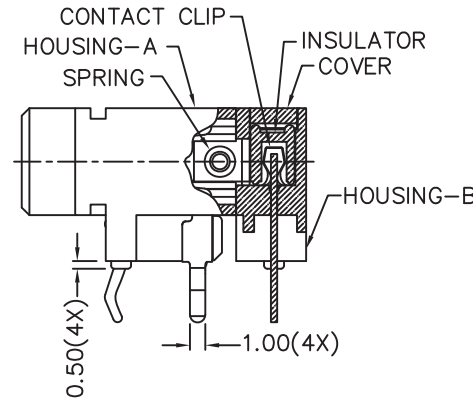
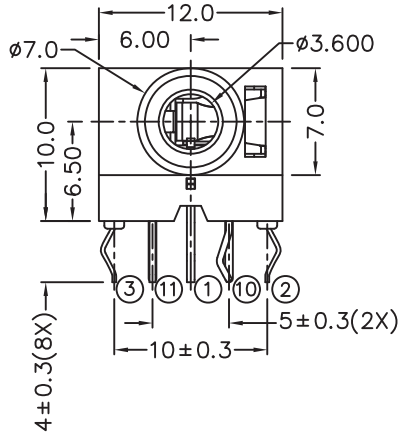
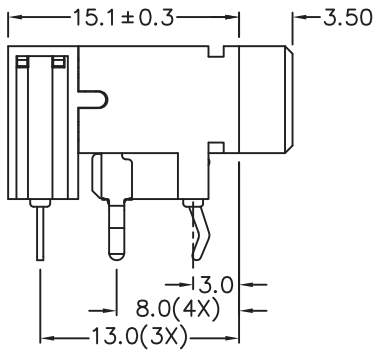


RoHS  
Compliant

ZONE	SYMBOL	REVISION	APPROVAL	DATE

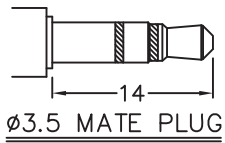


PCB LAYOUT  
(TOP VIEW)

\* MATERIAL

- TERMINAL 1 : BRASS
- TERMINAL 2 : COPPER ALLOY
- TERMINAL 3 : COPPER ALLOY
- TERMINAL 10 : BRASS
- TERMINAL 11 : BRASS
- TERMINAL 4,5,6 : BRASS
- HOUSING-A : PBT
- HOUSING-B : PBT
- COVER : PBT
- INSULATOR : PA66
- SPRING : STAINLESS STEEL
- CONTACT CLIP : C5210

MODEL NO.	TSH-3565-12	TSH-3564A-12	TSH-3564B-12	TSH-3563-12	TSH-3563A-12
SCHMATIC					



**CHAMPWAY** 冠泰電子有限公司  
CHAMPWAY ELECTRONICS CO., LTD.

DESIGN	J.CHEN	DATE	15-7-2011	SCALE	2:1
DRAWING	J.CHEN	DATE	15-7-2011	MATERIAL	*
CHECK		DATE		DWG. NO.	TZ\SH356-12-PBT/A
APPROVAL		DATE		SHEET	

PART NAME	3.5mm STEREO JACK	TOLERANCE UNLESS	0.0±0.2	UNIT:
PART NO.	TSH-356-12	OTHERWISE SPECIFIED:	0.00±0.1 0.000±0.05	

F E D C B A