

F

E

D

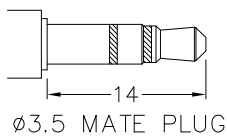
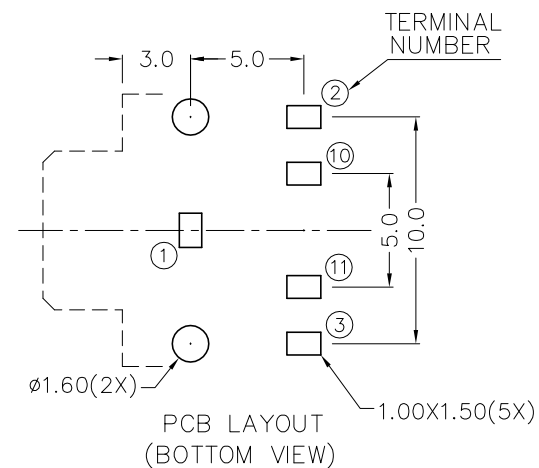
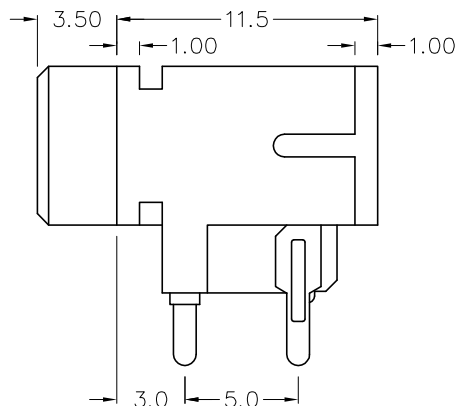
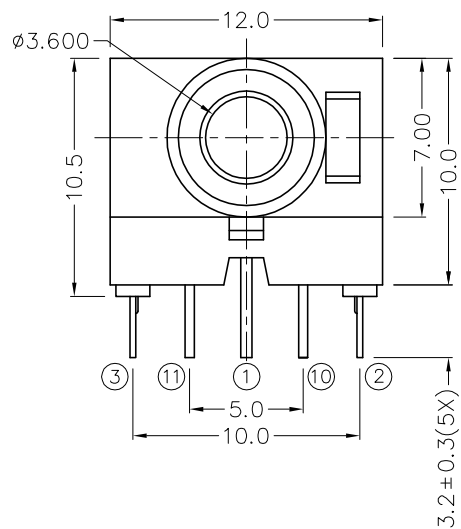
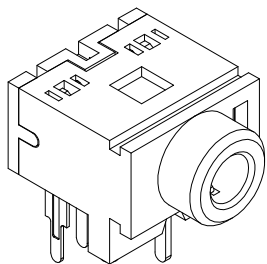
C

B

A

ZONE	SYMBOL	REVISION	APPROVAL	DATE
		ADD MATE PLUG	J.X.KUANG	26-7-2006

RoHS
Compliant



ø3.5 MATE PLUG

MODEL NO.	TSH-3565-2	TSH-3564A-2	TSH-3564B-2	TSH-3563-2	TSH-3563A-2	TSH-3562-2
SCHEMATIC						

* MATERIAL

TERMINAL 1 : BRASS
 TERMINAL 2 : COPPER ALLOY
 TERMINAL 3 : COPPER ALLOY
 TERMINAL 10 : BRASS
 TERMINAL 11 : BRASS
 HOUSING : PBT
 COVER : PBT



CHAMPWAY 冠泰電子有限公司
 CHAMPWAY ELECTRONICS CO., LTD.

DESIGN	J.X.KUANG	DATE	8-7-2004	SCALE	3:1
DRAWING	T.Y.LI	DATE	26-7-2006	MATERIAL	*
CHECK		DATE		DWG. NO.	TZ\SH356-2-PBT/B
APPROVAL		DATE		SHEET	

PART NAME	3.5mm STEREO JACK	TOLERANCE UNLESS	0.0±0.2	UNIT:	mm
PART NO.	TSH-356-2	OTHERWISE SPECIFIED:	0.00±0.1 0.000±0.05		

F

E

D

C

B

A

DCF-04/A