

F

E

D

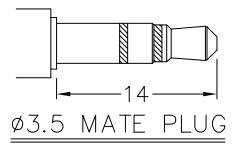
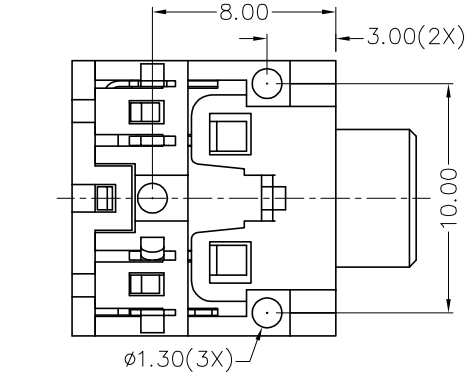
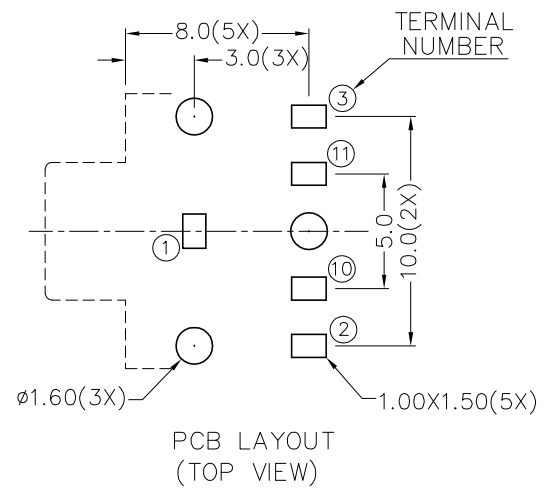
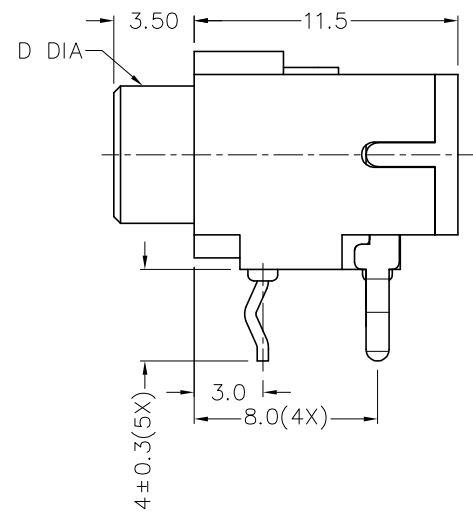
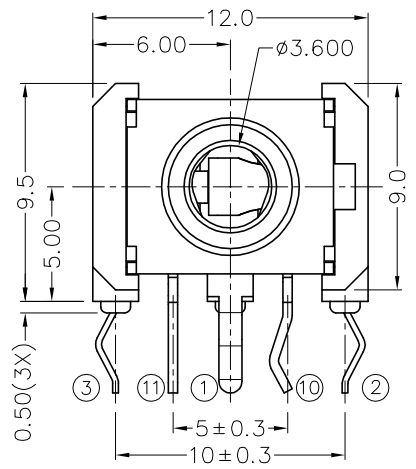
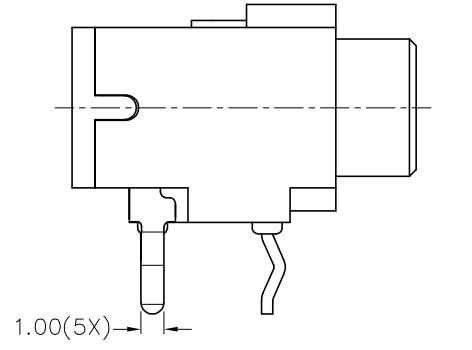
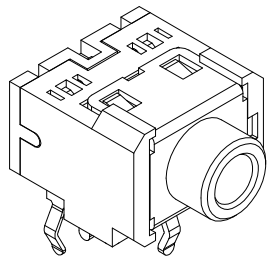
C

B

A

RoHS Compliant

ZONE	SYMBOL	REVISION	APPROVAL	DATE
		UPDATE DWG.&DIM.	J.X.KUANG	27-7-2011



- * MATERIAL**
- TERMINAL 1 : COLD ROLLED STEEL
 - TERMINAL 2 : COPPER ALLOY
 - TERMINAL 3 : COPPER ALLOY
 - TERMINAL 10 : BRASS
 - TERMINAL 11 : BRASS
 - BUSHING : BRASS
 - SPRING : COPPER ALLOY
 - HOUSING : PBT
 - COVER : PBT

THREADED	M6X0.5	MODEL NO.	TSH-3575N	TSH-3574AN	TSH-3574BN	TSH-3573N	TSH-3573AN
FLASHED	Ø6.0	MODEL NO.	TSH-3575F	TSH-3574AF	TSH-3574BF	TSH-3573F	TSH-3573AF
D DIA	SCHEMATIC						

CHAMPWAY 冠泰電子有限公司
CHAMPWAY ELECTRONICS CO., LTD.

DESIGN	J.M.KWAN	DATE	6-10-2003	SCALE	3:1
DRAWING	T.Y.LI	DATE	27-7-2011	MATERIAL	*
CHECK		DATE		DWG. NO.	TZ\SH357-PBT/C
APPROVAL		DATE		SHEET	

PART NAME	3.5mm STEREO JACK	TOLERANCE UNLESS	0.0±0.2	UNIT:	
PART NO.	TSH-357	OTHERWISE SPECIFIED:	0.00±0.1 0.000±0.05	mm	

F

E

D

C

B

A