

F

E

D

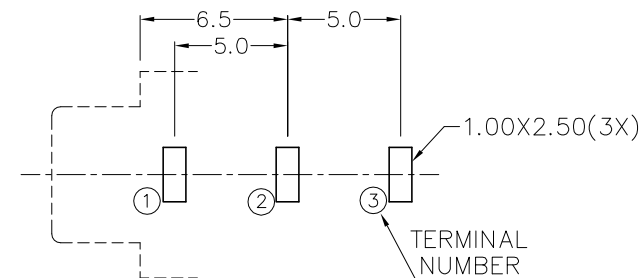
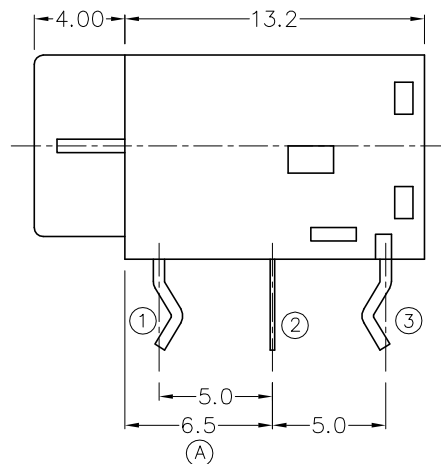
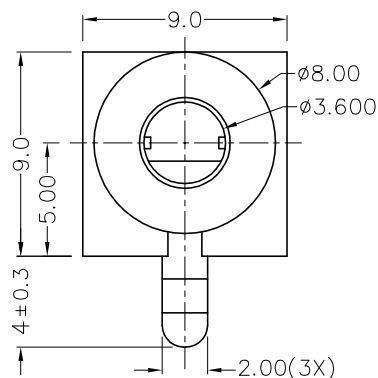
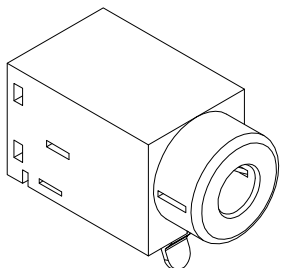
C

B

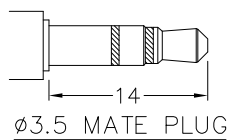
A

ZONE	SYMBOL	REVISION	APPROVAL	DATE
D3	(A)	6.4 MODIFIED TO 6.5	J.X.KUANG	14-5-2009

RoHS
Compliant



PCB LAYOUT
(TOP VIEW)



MODEL NO.	TSH-3583	TSH-3583A
SCHEMATIC		

* MATERIAL

TERMINAL 1 : BRASS
 TERMINAL 2 : COPPER ALLOY
 TERMINAL 3 : BRASS
 HOUSING : PBT



CHAMPWAY 冠泰電子有限公司
 CHAMPWAY ELECTRONICS CO., LTD.

DESIGN	J.X.KUANG	DATE	6-10-2003	SCALE	3:1
DRAWING	T.Y.LI	DATE	14-5-2009	MATERIAL	*
CHECK		DATE		DWG. NO.	TZ\SH358-PBT/C
APPROVAL		DATE		SHEET	

PART NAME	3.5mm STEREO JACK	TOLERANCE UNLESS	0.0±0.2	UNIT:	
PART NO.	TSH-358	OTHERWISE SPECIFIED:	0.00±0.1 0.000±0.05	mm	

F

E

D

C

B

A