

F

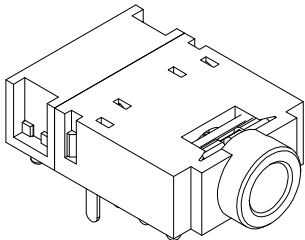
E

D

C

B

A



RoHS
Compliant

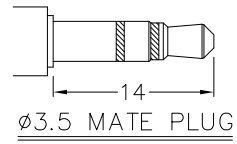
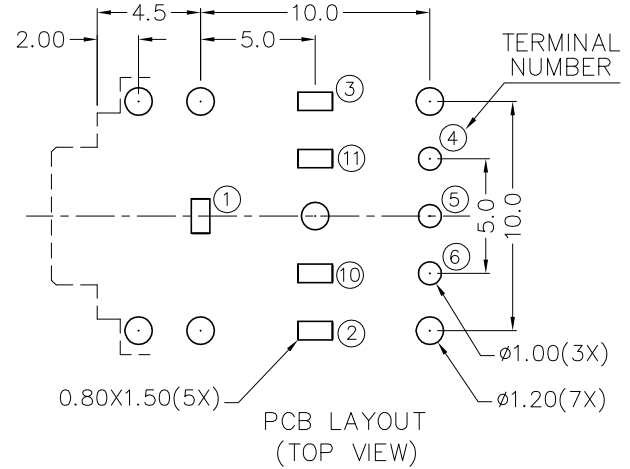
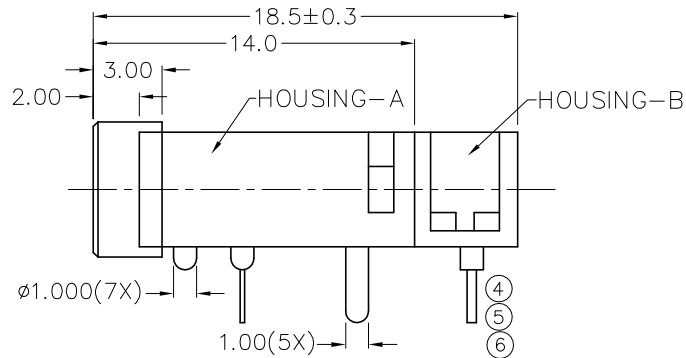
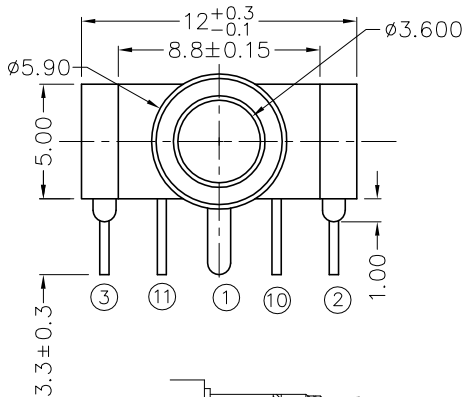
ZONE	SYMBOL	REVISION	APPROVAL	DATE

1

1

2

2



3

3

* MATERIAL

- TERMINAL 1 : COPPER ALLOY
- TERMINAL 2 : COPPER ALLOY
- TERMINAL 3 : COPPER ALLOY
- TERMINAL 10 : BRASS
- TERMINAL 11 : BRASS
- TERMINAL 4,5,6 : BRASS
- HOUSING-A : PA66
- HOUSING-B : PA66
- INSULATOR : PA66
- PIN BOARD : PA66
- CONTACT CLIP : C5210R-EH AG CLAD

MODEL NO.	TSH-3615-12	TSH-3614A-12	TSH-3614B-12	TSH-3613-12	TSH-3613A-12	TSH-3612-12
SCHEMATIC						

4

4



DESIGN	J.M.KWAN	DATE	6-10-2003	SCALE	3:1
DRAWING	T.Y.LI	DATE	12-9-2009	MATERIAL	*
CHECK		DATE		DWG. NO.	TZ\SH361-12-PA66/A
APPROVAL		DATE		SHEET	

PART NAME	3.5mm STEREO JACK	TOLERANCE UNLESS	0.0±0.2	UNIT:
PART NO.	TSH-361-12	OTHERWISE SPECIFIED:	0.00±0.1 0.000±0.05	

F

E

D

C

B

A