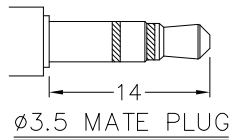
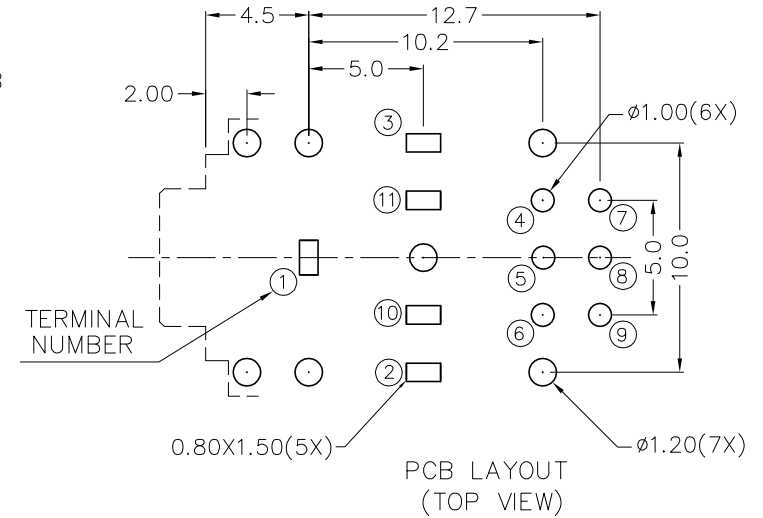
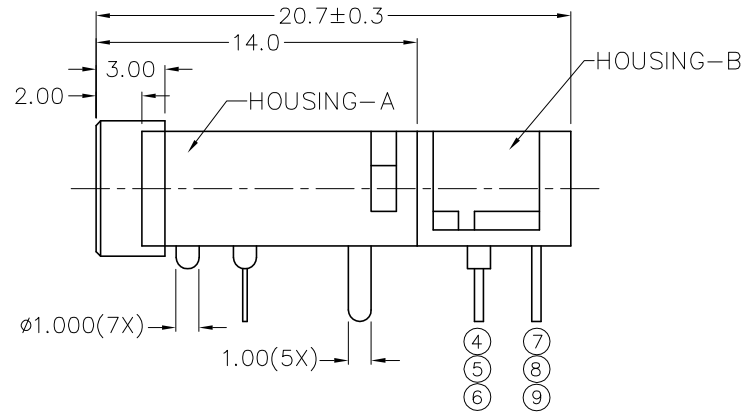
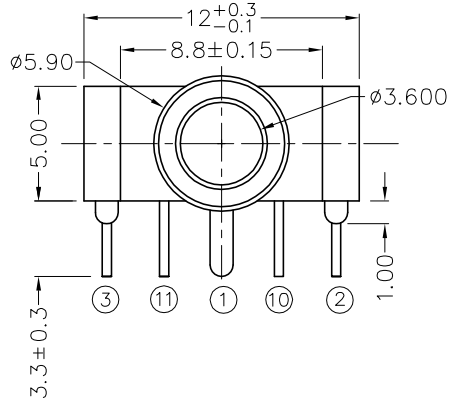


RoHS  
Compliant

ZONE	SYMBOL	REVISION	APPROVAL	DATE



\*MATERIAL

- TERMINAL 1 : COPPER ALLOY
- TERMINAL 2 : COPPER ALLOY
- TERMINAL 3 : COPPER ALLOY
- TERMINAL 10 : BRASS
- TERMINAL 11 : BRASS
- TERMINAL 4,5,6,7,8,9 : BRASS
- HOUSING-A : PA66
- HOUSING-B : PA66
- INSULATOR : PA66
- PIN BOARD : PA66
- CONTACT CLIP : C5210R-EH AG CLAD

MODEL NO.	TSH-3615-22	TSH-3614A-22	TSH-3614B-22	TSH-3613-22	TSH-3613A-22	TSH-3612-22
SCHEMATIC						

**CHAMPWAY** 冠泰電子有限公司  
CHAMPWAY ELECTRONICS CO., LTD.

DESIGN	J.M.KWAN	DATE	6-10-2003	SCALE	3:1
DRAWING	T.Y.LI	DATE	12-9-2009	MATERIAL	*
CHECK		DATE		DWG. NO.	TZ\SH361-22-PA66/A
APPROVAL		DATE		SHEET	

PART NAME	3.5mm STEREO JACK	TOLERANCE UNLESS	0.0±0.2	UNIT:
PART NO.	TSH-361-22	OTHERWISE SPECIFIED:	0.00±0.1 0.000±0.05	

F E D C B A