

F

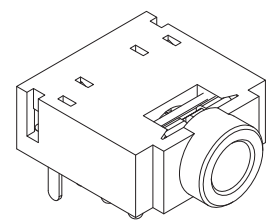
E

D

C

B

A

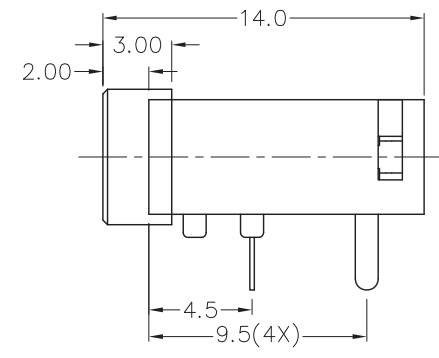
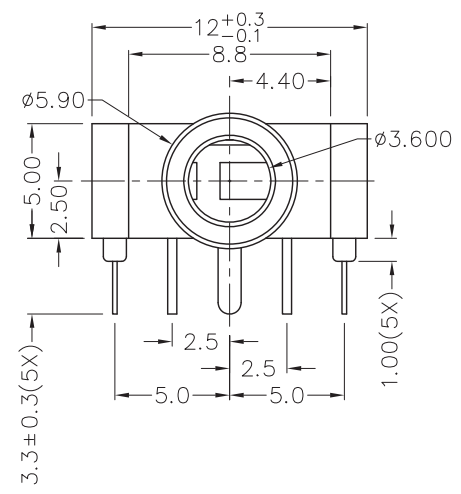
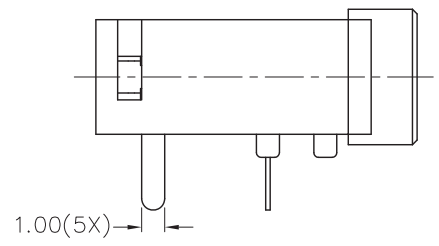


RoHS
Compliant

ZONE	SYMBOL	REVISION	APPROVAL	DATE
		UPDATE THE DWG.	J.X.KUANG	30-11-2011

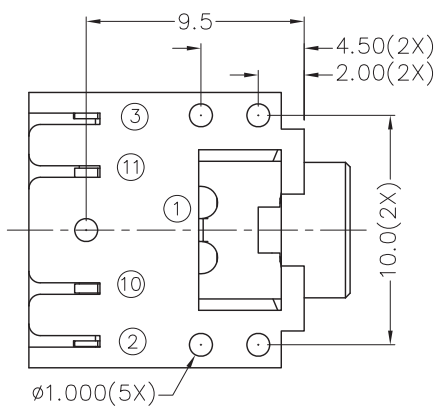
1

1



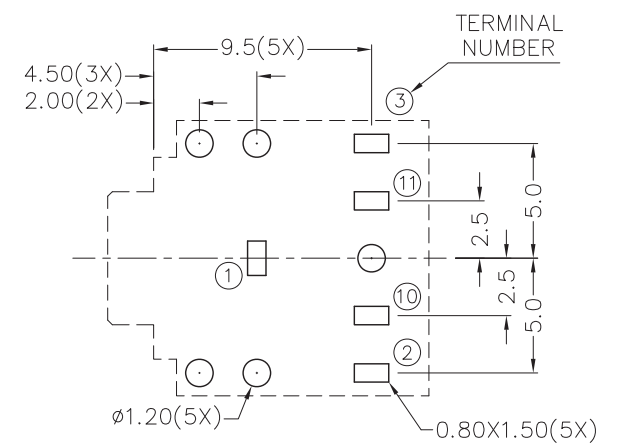
2

2



* MATERIAL

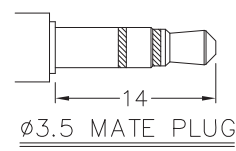
- TERMINAL 1 : COPPER ALLOY
- TERMINAL 2 : COPPER ALLOY
- TERMINAL 3 : COPPER ALLOY
- TERMINAL 10: BRASS
- TERMINAL 11 : BRASS
- HOUSING : PBT



PCB LAYOUT
(TOP VIEW)

3

3



MODEL NO.	TSH-3615	TSH-3614A	TSH-3614B	TSH-3613	TSH-3613A
SCHEMATIC					

4

4

CHAMPWAY 冠泰電子有限公司
CHAMPWAY ELECTRONICS CO., LTD.

DESIGN	J.M.KWAN	DATE	6-10-2003	SCALE	3:1
DRAWING	CH.XIONG	DATE	30-11-2011	MATERIAL	*
CHECK		DATE		DWG. NO.	TZ\SH361-PBT/C
APPROVAL		DATE		SHEET	

PART NAME	3.5mm STEREO JACK	TOLERANCE UNLESS	0.0±0.2	UNIT:	mm
PART NO.	TSH-361	OTHERWISE SPECIFIED:	0.00±0.1 0.000±0.05		

F

E

D

C

B

A