

F

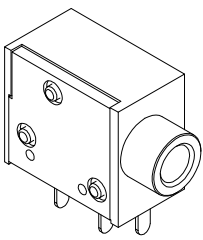
E

D

C

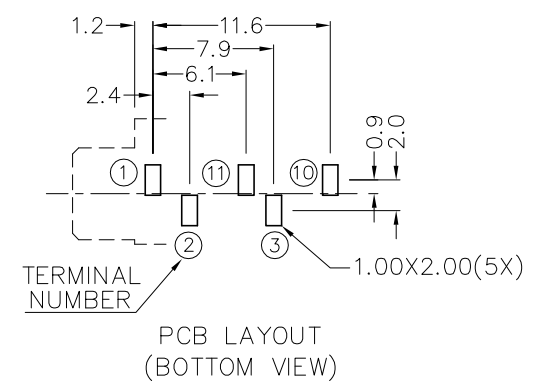
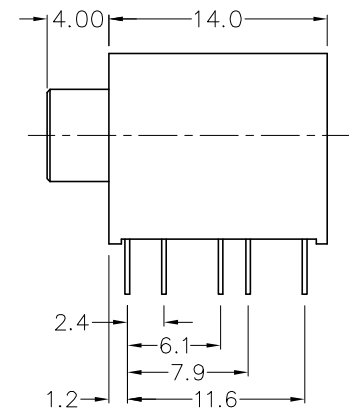
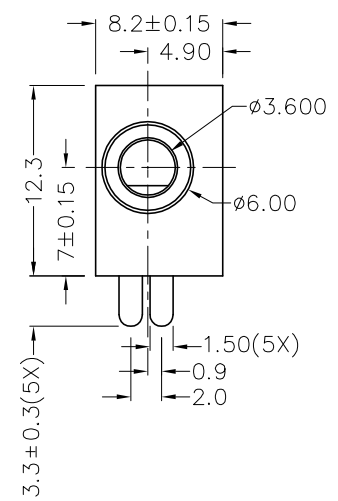
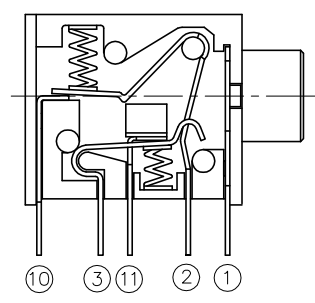
B

A



RoHS  
Compliant

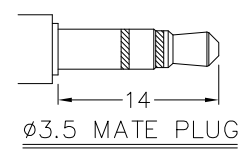
ZONE	SYMBOL	REVISION	APPROVAL	DATE
		ADD MATE PLUG	J.X.KUANG	31-7-2006



PLASTIC BUSHING

\* MATERIAL

- TERMINAL 1 : COPPER ALLOY
- TERMINAL 2 : BRASS
- TERMINAL 3 : BRASS
- TERMINAL 10 : BRASS
- TERMINAL 11 : BRASS
- SPRING : STAINLESS STEEL
- HOUSING : PBT
- COVER : PBT



MODEL NO.	TSH-3635	TSH-3634A	TSH-3634B	TSH-3633	TSH-3633A
SCHEMATIC					

**CHAMPWAY** 冠泰電子有限公司  
CHAMPWAY ELECTRONICS CO., LTD.

DESIGN	L.L.ZHANG	DATE	21-7-2005	SCALE	2:1
DRAWING	T.Y.LI	DATE	31-7-2006	MATERIAL	*
CHECK		DATE		DWG. NO.	TZ\SH363-PBT/C
APPROVAL		DATE		SHEET	

PART NAME	3.5mm STEREO JACK	TOLERANCE UNLESS	0.0±0.2	UNIT:
PART NO.	TSH-363	OTHERWISE SPECIFIED:	0.00±0.1 0.000±0.05	

F

E

D

C

B

A

DCF-04/A