

F

E

D

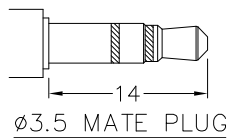
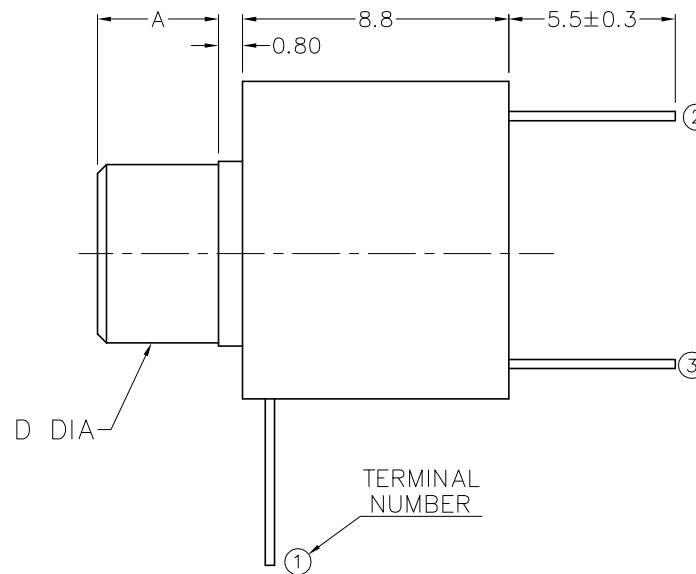
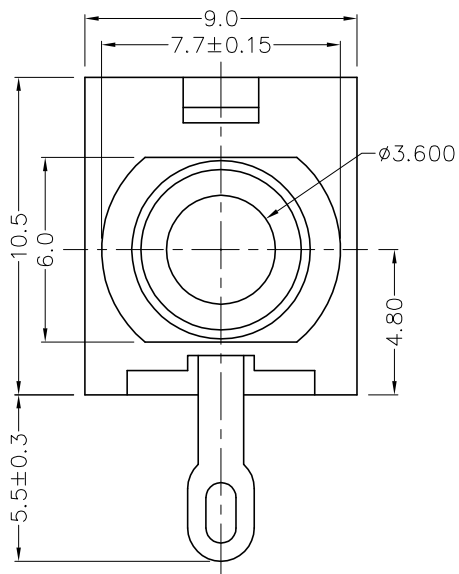
C

B

A

RoHS
Compliant

ZONE	SYMBOL	REVISION	APPROVAL	DATE
		ADD MATE PLUG	J.X.KUANG	14-9-2006



MODEL NO.	TG-35SN	TG-35SF	TG-35SN2	TG-35SF2
D DIA	THREADED M6X0.5	FLASHED ø6.0	THREADED M6X0.5	FLASHED ø6.0
A	4.0mm	4.0mm	3.5mm	3.5mm
SCHEMATIC				

* MATERIAL

TERMINAL 1 : BRASS
 TERMINAL 2 : COPPER ALLOY
 TERMINAL 3 : BRASS
 BUSHING : BRASS
 HOUSING : PBT



CHAMPWAY 冠泰電子有限公司
 CHAMPWAY ELECTRONICS CO., LTD.

DESIGN	J.X.KUANG	DATE	2-10-2003	SCALE	4:1
DRAWING	L.L.ZHANG	DATE	14-9-2006	MATERIAL	*
CHECK		DATE		DWG. NO.	TZ\TG35S-PBT/B
APPROVAL		DATE		SHEET	

PART NAME	3.5mm STEREO JACK	TOLERANCE UNLESS	0.0±0.2	UNIT:	
PART NO.	TG-35S	OTHERWISE SPECIFIED:	0.00±0.1 0.000±0.05	mm	

F

E

D

C

B

A

DCF-04/A