

F

E

D

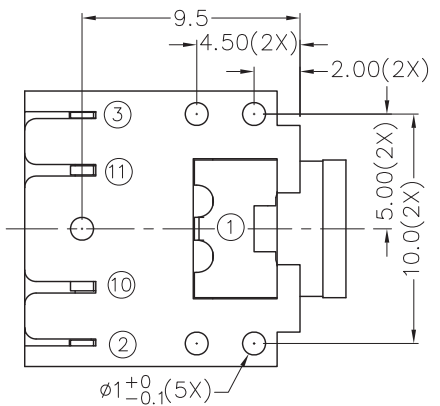
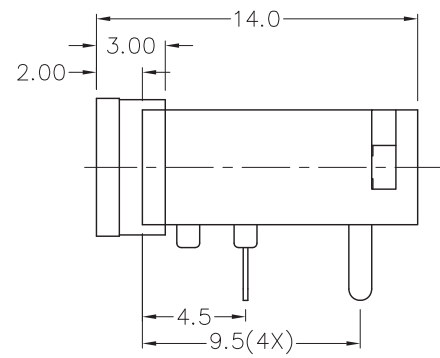
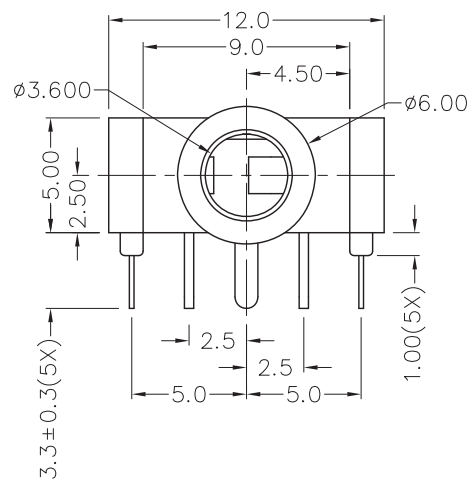
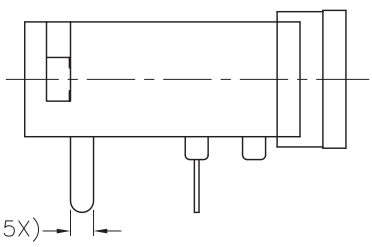
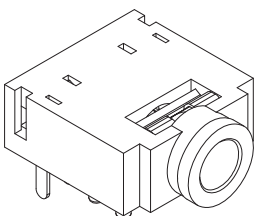
C

B

A

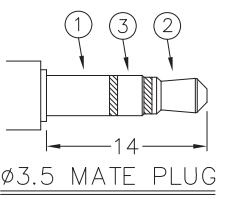
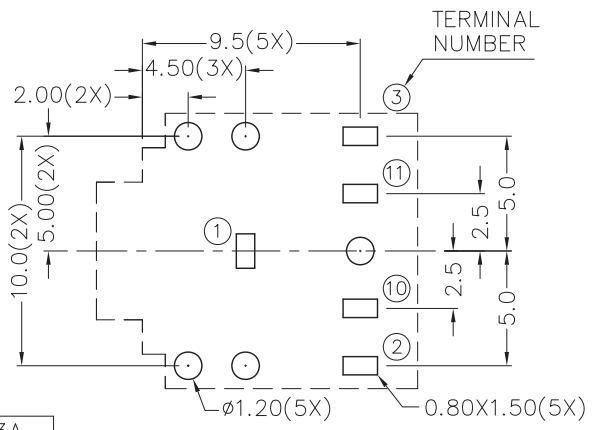
ZONE	SYMBOL	REVISION	APPROVAL	DATE
		UPDATE THE DWG.	J.X.KUANG	6-2-2012

RoHS
Compliant



*MATERIAL

- TERMINAL 1 : COPPER ALLOY
- TERMINAL 2 : COPPER ALLOY
- TERMINAL 3 : COPPER ALLOY
- TERMINAL 10 : BRASS
- TERMINAL 11 : BRASS
- BUSHING : BRASS
- HOUSING : PBT



MODEL NO.	TSH-3515	TSH-3514A	TSH-3514B	TSH-3513	TSH-3513A
SCHEMATIC					

PCB LAYOUT
(TOP VIEW)

CHAMPWAY 冠泰電子有限公司
CHAMPWAY ELECTRONICS CO., LTD.

PART NAME	3.5mm STEREO JACK	TOLERANCE UNLESS	0.0±0.2	UNIT: mm
PART NO.	TSH-351	OTHERWISE SPECIFIED:	0.00±0.1 0.000±0.05	

DESIGN	J.M.KWAN	DATE	6-10-2003	SCALE	3:1
DRAWING	CH.XIONG	DATE	6-2-2012	MATERIAL	*
CHECK		DATE		DWG. NO.	TZ\SH351-PBT/C
APPROVAL		DATE		SHEET	

F

E

D

C

B

A