

F

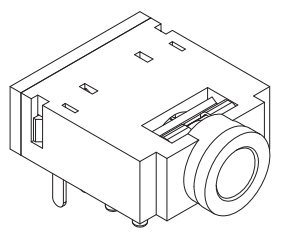
E

D

C

B

A

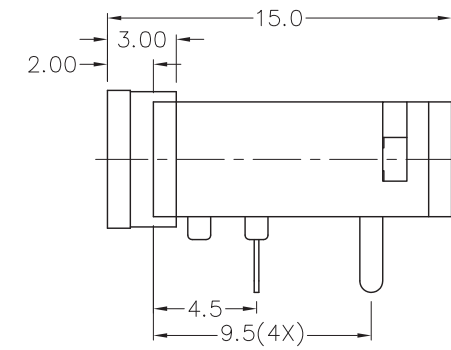
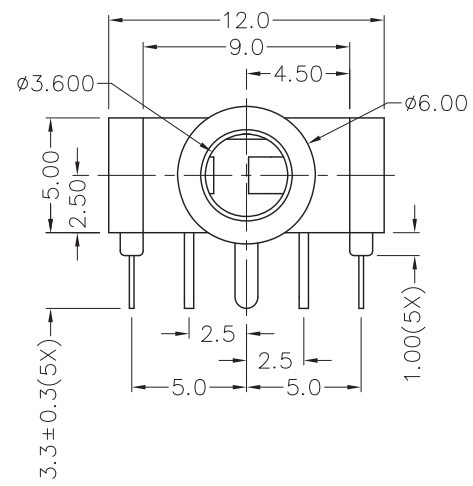
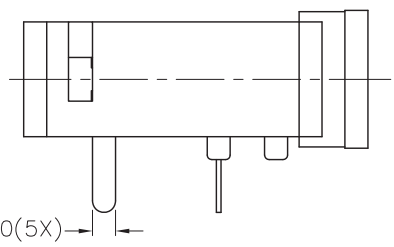


RoHS
Compliant

ZONE	SYMBOL	REVISION	APPROVAL	DATE
		UPDATE THE DWG.	J.X.KUANG	6-2-2012

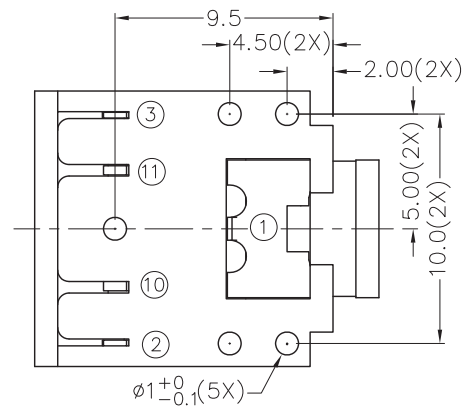
1

1

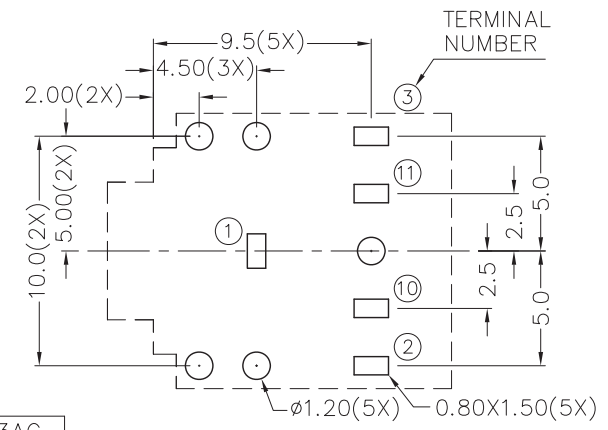


2

2

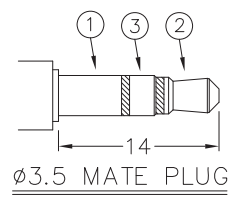


*MATERIAL
 TERMINAL 1 : COPPER ALLOY
 TERMINAL 2 : COPPER ALLOY
 TERMINAL 3 : COPPER ALLOY
 TERMINAL 10 : BRASS
 TERMINAL 11 : BRASS
 BUSHING : BRASS
 HOUSING : PBT
 COVER : PBT



3

3



MODEL NO.	TSH-3515C	TSH-3514AC	TSH-3514BC	TSH-3513C	TSH-3513AC
SCHEMATIC					

PCB LAYOUT
(TOP VIEW)

4

4

CHAMPWAY 冠泰電子有限公司
CHAMPWAY ELECTRONICS CO., LTD.

DESIGN	J.M.KWAN	DATE	6-10-2003	SCALE	3:1
DRAWING	CH.XIONG	DATE	6-2-2012	MATERIAL	*
CHECK		DATE		DWG. NO.	TZ\SH351C-PBT/C
APPROVAL		DATE		SHEET	

PART NAME	3.5mm STEREO JACK	TOLERANCE UNLESS	0.0±0.2	UNIT: mm
PART NO.	TSH-351C	OTHERWISE SPECIFIED:	0.00±0.1 0.000±0.05	

F

E

D

C

B

A