

F

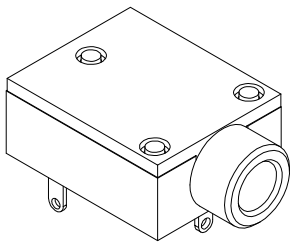
E

D

C

B

A



RoHS
Compliant

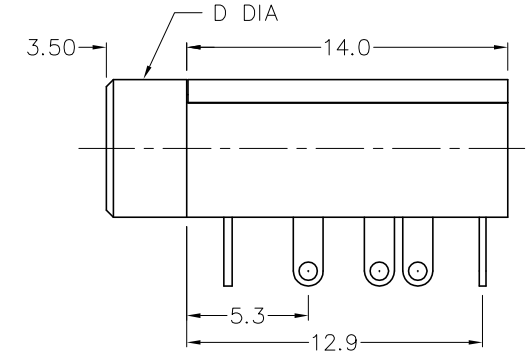
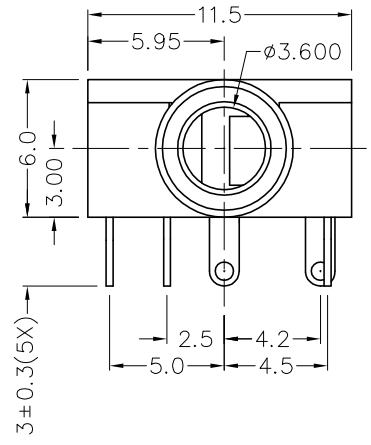
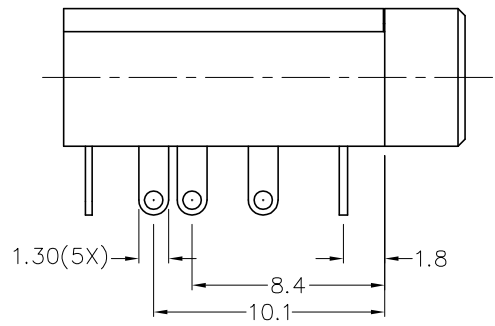
ZONE	SYMBOL	REVISION	APPROVAL	DATE
		UPDATE THE DWG.&DIM.	J.X.KUANG	25-8-2011

1

1

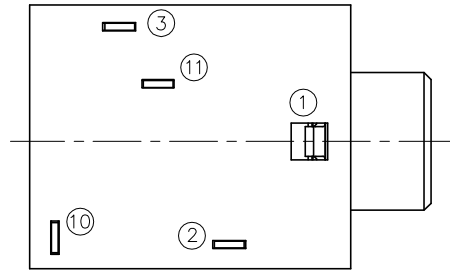
2

2



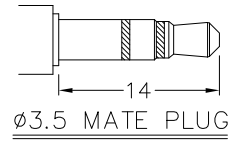
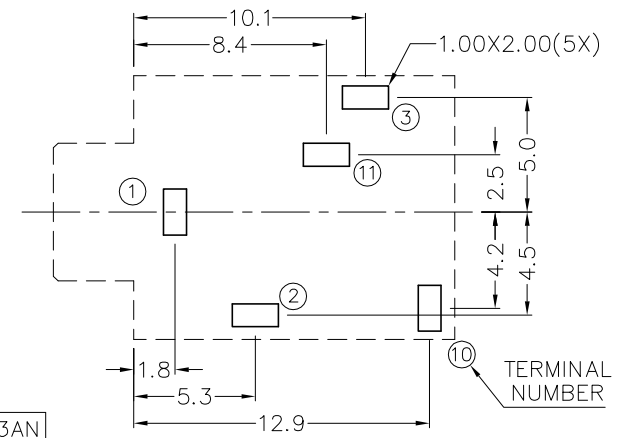
3

3



*MATERIAL

- TERMINAL 1 : BRASS
- TERMINAL 2 : BRASS
- TERMINAL 3 : BRASS
- TERMINAL 10 : BRASS
- TERMINAL 11 : BRASS
- BUSHING : BRASS
- HOUSING : PBT
- COVER : PC-TRANSPARENT PLASTIC
- SPRING : STAINLESS STEEL



THREADED	M6X0.5	MODEL NO.	TSH-3525N	TSH-3524AN	TSH-3524BN	TSH-3523N	TSH-3523AN	
FLASHED	ø6.0	MODEL NO.	TSH-3525F	TSH-3524AF	TSH-3524BF	TSH-3523F	TSH-3523AF	
D DIA	SCHEMATIC							

4

4

CHAMPWAY 冠泰電子有限公司
CHAMPWAY ELECTRONICS CO., LTD.

DESIGN	J.M.KWAN	DATE	6-10-2003	SCALE	3:1
DRAWING	G.P.YI	DATE	25-8-2011	MATERIAL	*
CHECK		DATE		DWG. NO.	TZ\SH352-PBT/C
APPROVAL		DATE		SHEET	

PART NAME	3.5mm STEREO JACK	TOLERANCE UNLESS	0.0±0.2	UNIT:	
PART NO.	TSH-352	OTHERWISE SPECIFIED:	0.00±0.1 0.000±0.05	mm	

F

E

D

C

B

A