

F

E

D

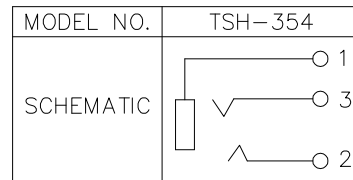
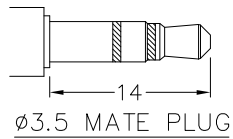
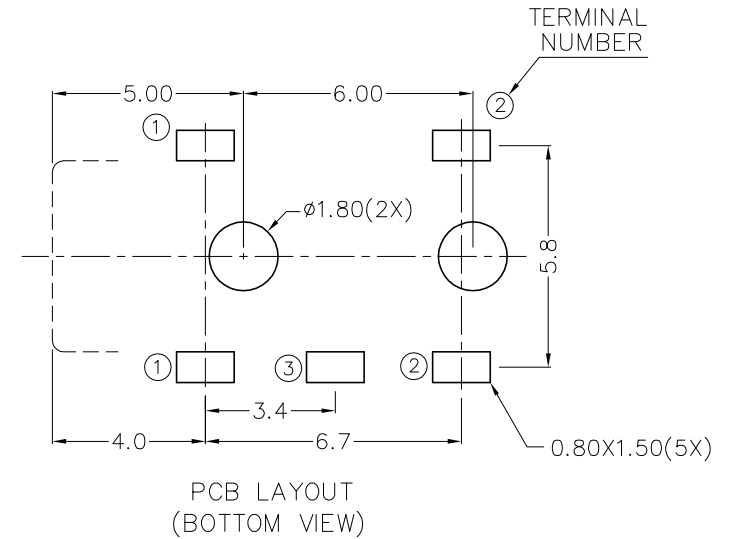
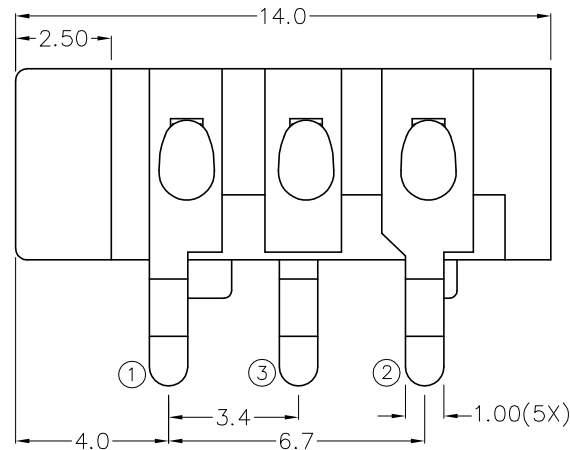
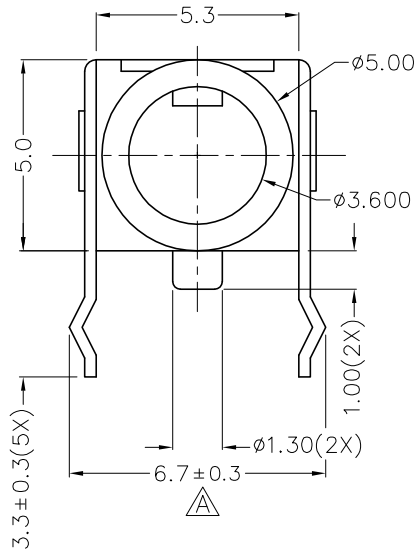
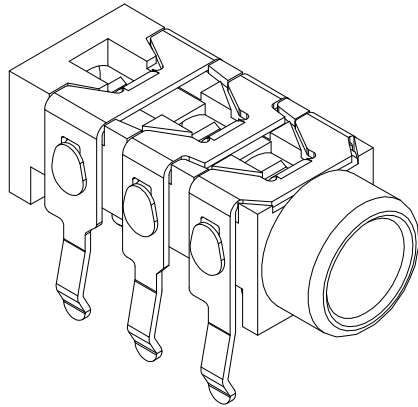
C

B

A

RoHS
Compliant

ZONE	SYMBOL	REVISION	APPROVAL	DATE
E3	△	ADD DIM.	J.X.KUANG	1-9-2008



* MATERIAL

- TERMINAL 1 : COPPER ALLOY
- TERMINAL 2 : COPPER ALLOY
- TERMINAL 3 : COPPER ALLOY
- HOUSING : PBT

CHAMPWAY 冠泰電子有限公司
CHAMPWAY ELECTRONICS CO., LTD.

PART NAME	3.5mm STEREO JACK	TOLERANCE UNLESS 0.0±0.2 0.00±0.1 OTHERWISE SPECIFIED: 0.000±0.05	UNIT: mm	DESIGN	J.JIANG	DATE	14-5-2004	SCALE	5:1
				DRAWING	X.N.ZHENG	DATE	1-9-2008	MATERIAL	*
PART NO.	TSH-354			CHECK		DATE		DWG. NO.	TZ\SH354-PBT/E
				APPROVAL		DATE		SHEET	

F

E

D

C

B

A