

F

E

D

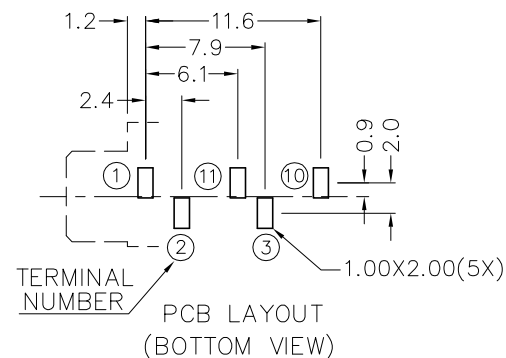
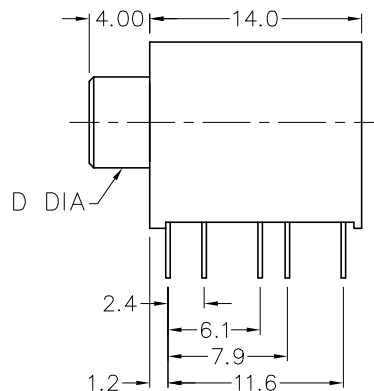
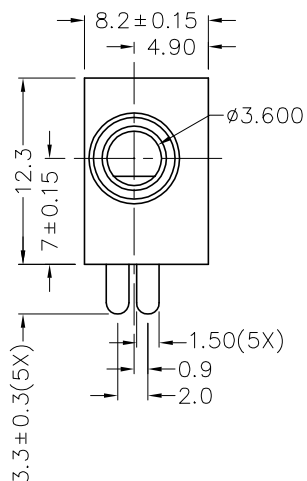
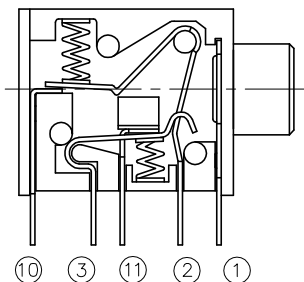
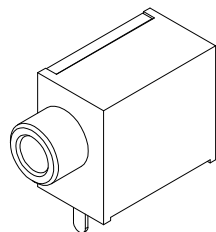
C

B

A

RoHS
Compliant

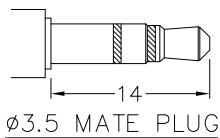
ZONE	SYMBOL	REVISION	APPROVAL	DATE
		ADD MATE PLUG	J.X.KUANG	4-10-2006



THREADED	M6X0.5	MODEL NO.	TSH-3555N	TSH-3554AN	TSH-3554BN	TSH-3553N	TSH-3553AN
FLASHED	ø6.0	MODEL NO.	TSH-3555F	TSH-3554AF	TSH-3554BF	TSH-3553F	TSH-3553AF
D DIA		SCHEMATIC					

* MATERIAL

TERMINAL 1 : BRASS
 TERMINAL 2 : BRASS
 TERMINAL 3 : BRASS
 TERMINAL 10 : BRASS
 TERMINAL 11 : BRASS
 BUSHING : BRASS
 SPRING : STAINLESS STEEL
 HOUSING : PBT
 COVER : PBT



CHAMPWAY 冠泰电子有限公司
CHAMPWAY ELECTRONICS CO., LTD.

DESIGN	L.L.ZHANG	DATE	21-7-2005	SCALE	2:1
DRAWING	L.L.ZHANG	DATE	4-10-2006	MATERIAL	*
PART NAME	3.5mm STEREO JACK		TOLERANCE UNLESS	0.0±0.2	DWG. NO. TZ\SH355-PBT/C
PART NO.	TSH-355		OTHERWISE SPECIFIED:	0.00±0.1 0.000±0.05	
CHECK		DATE		DWG. NO.	TZ\SH355-PBT/C
APPROVAL		DATE		SHEET	

F

E

D

C

B

A

DCF-04/A