

F

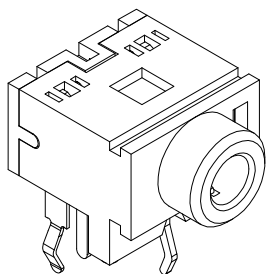
E

D

C

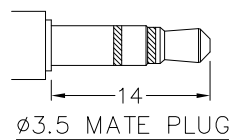
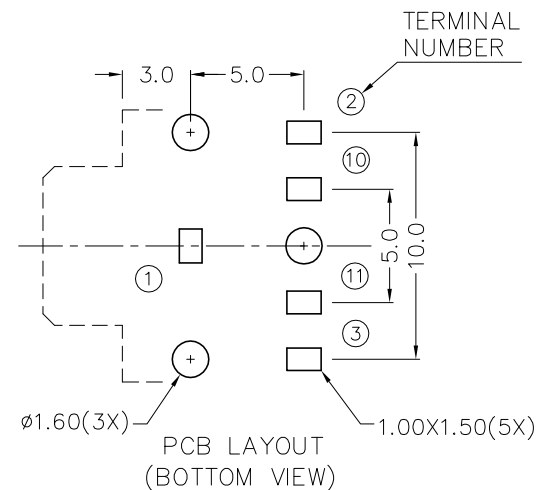
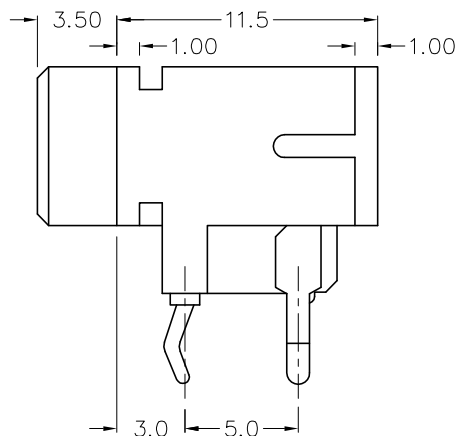
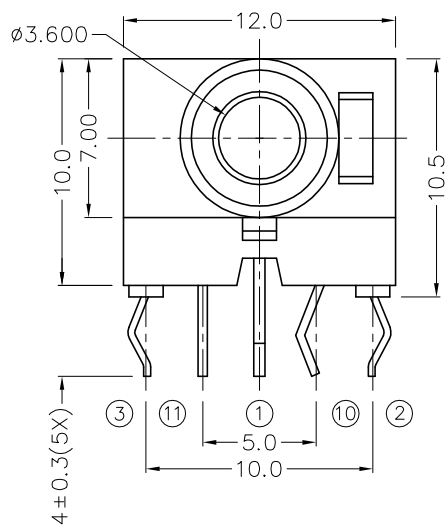
B

A



RoHS
Compliant

ZONE	SYMBOL	REVISION	APPROVAL	DATE
		ADD MATE PLUG	J.X.KUANG	26-7-2006



φ3.5 MATE PLUG

MODEL NO.	TSH-3565	TSH-3564A	TSH-3564B	TSH-3563	TSH-3563A	TSH-3562
SCHEMATIC						

* MATERIAL

TERMINAL 1 : BRASS
 TERMINAL 2 : COPPER ALLOY
 TERMINAL 3 : COPPER ALLOY
 TERMINAL 10 : BRASS
 TERMINAL 11 : BRASS
 HOUSING : PBT
 COVER : PBT



CHAMPWAY 冠泰電子有限公司
 CHAMPWAY ELECTRONICS CO., LTD.

DESIGN	K.Y.AU-YEUNG	DATE	6-10-2003	SCALE	3:1
DRAWING	T.Y.LI	DATE	26-7-2006	MATERIAL	*
CHECK		DATE		DWG. NO.	TZ\SH356-PBT/B
APPROVAL		DATE		SHEET	

PART NAME	3.5mm STEREO JACK	TOLERANCE UNLESS	0.0±0.2	UNIT:	mm
PART NO.	TSH-356	OTHERWISE SPECIFIED:	0.00±0.1 0.000±0.05		

F

E

D

C

B

A

DCF-04/A