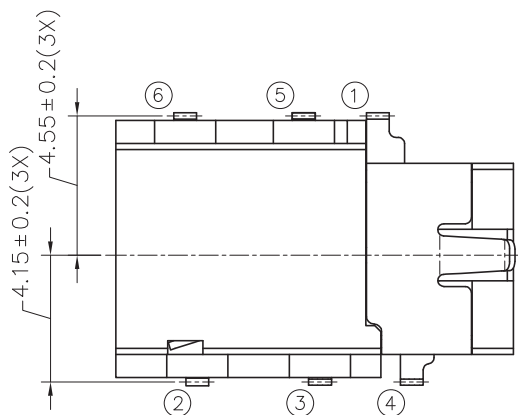
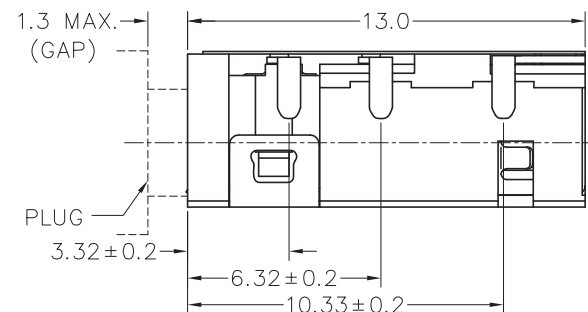
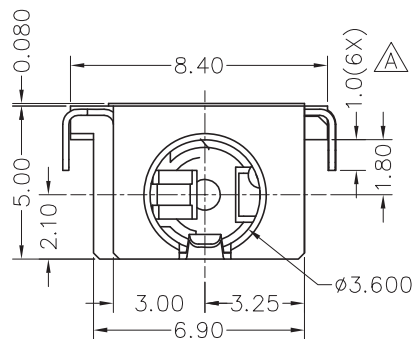
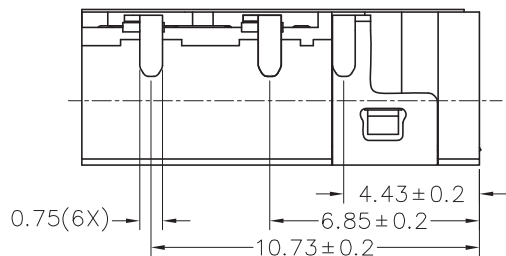


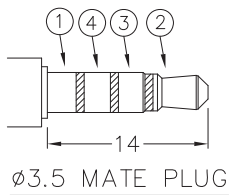
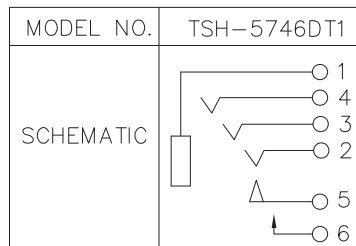
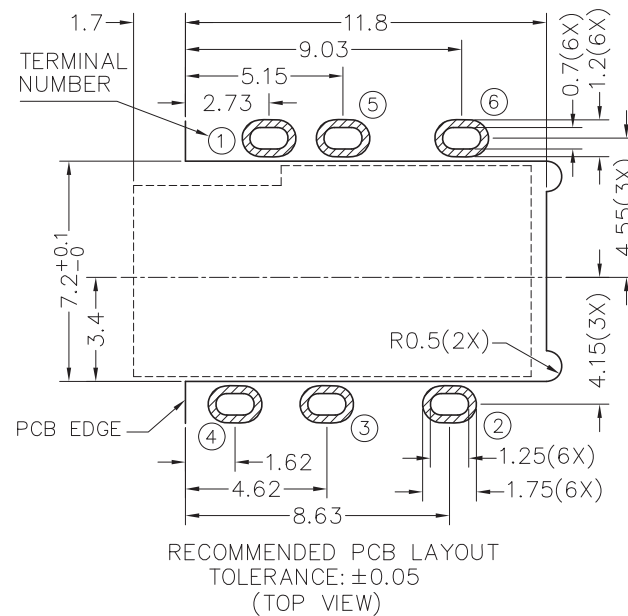
RoHS
Compliant

ZONE	SYMBOL	REVISION	APPROVAL	DATE
C1	△	0.7 MODIFIED TO 1.0	J.X.KUANG	24-10-2013



* MATERIAL

- TERMINAL 1 : COPPER ALLOY
- TERMINAL 2 : COPPER ALLOY
- TERMINAL 3 : COPPER ALLOY
- TERMINAL 4 : COPPER ALLOY
- TERMINAL 5 : COPPER ALLOY
- TERMINAL 6 : COPPER ALLOY
- HOUSING : PA10T
- INSULATOR : PA10T
- MYLAR : POLYIMIDE



CHAMPWAY 冠泰電子有限公司
CHAMPWAY ELECTRONICS CO., LTD.

PART NAME	3.5mm SMD STEREO JACK	TOLERANCE UNLESS	0.0±0.2	UNIT:	mm
PART NO.	TSH-574DT1	OTHERWISE SPECIFIED:	0.00±0.1 0.000±0.05		

DESIGN	G.P.YI	DATE	17-4-2013	SCALE	4:1
DRAWING	H.L.TAN	DATE	24-10-2013	MATERIAL	*
CHECK		DATE		DWG. NO.	TZ\SH574DT1-PA10T/B
APPROVAL		DATE		SHEET	