

F

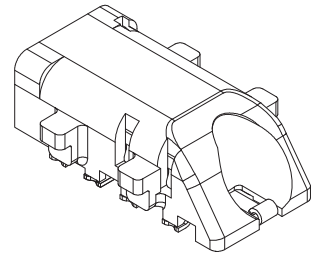
E

D

C

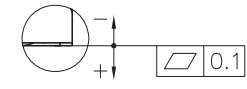
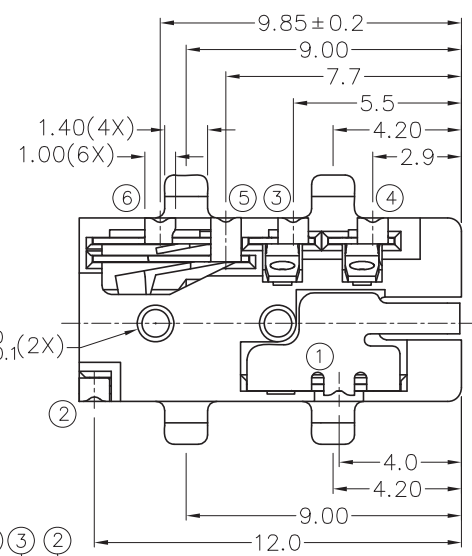
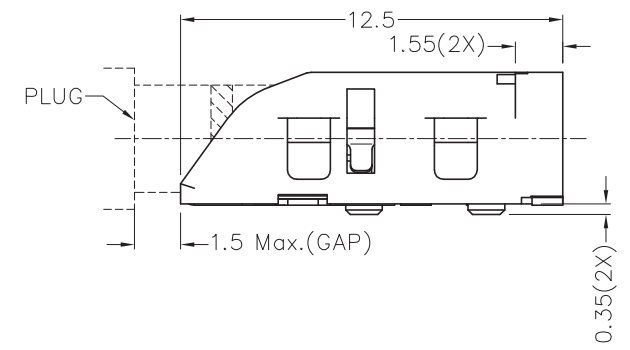
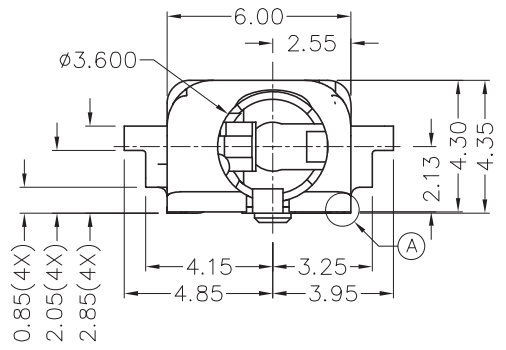
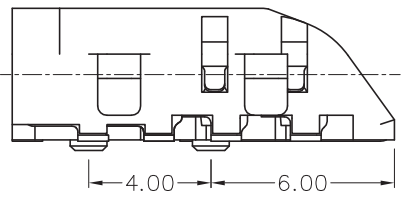
B

A



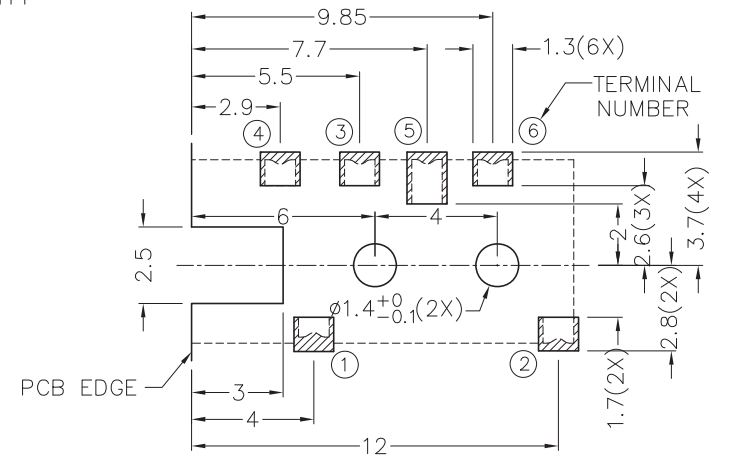
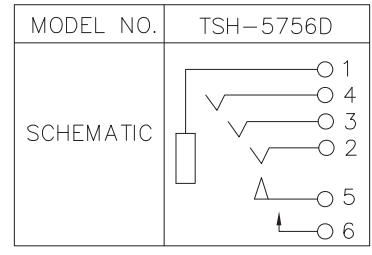
RoHS
Compliant

ZONE	SYMBOL	REVISION	APPROVAL	DATE

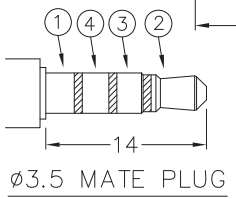


A DETAIL COPLANARITY

*** MATERIAL**
 TERMINAL 1 : COPPER ALLOY
 TERMINAL 2 : COPPER ALLOY
 TERMINAL 3 : COPPER ALLOY
 TERMINAL 4 : COPPER ALLOY
 TERMINAL 5 : COPPER ALLOY
 TERMINAL 6 : COPPER ALLOY
 HOUSING : PA10T
 INSULATOR : PA10T



RECOMMENDED PCB LAYOUT
TOLERANCE: ±0.05
(TOP VIEW)



CHAMPWAY 冠泰電子有限公司
CHAMPWAY ELECTRONICS CO., LTD.

PART NAME	3.5mm SMD STEREO JACK	TOLERANCE UNLESS	0.0±0.2	UNIT:	mm
PART NO.	TSH-575D	OTHERWISE SPECIFIED:	0.00±0.1 0.000±0.05		

DESIGN	G.P.YI	DATE	28-3-2013	SCALE	4:1
DRAWING	G.P.YI	DATE	10-7-2013	MATERIAL	*
CHECK		DATE		DWG. NO.	TZ\SH575D-PA10T/A
APPROVAL		DATE		SHEET	

F

E

D

C

B

A