

F

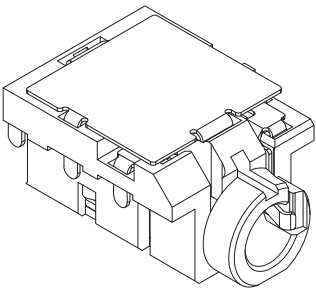
E

D

C

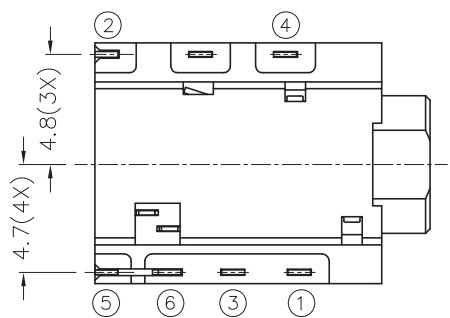
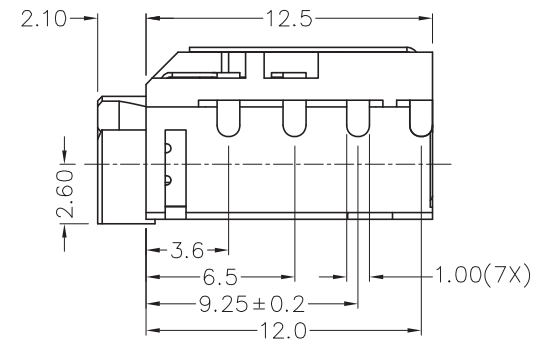
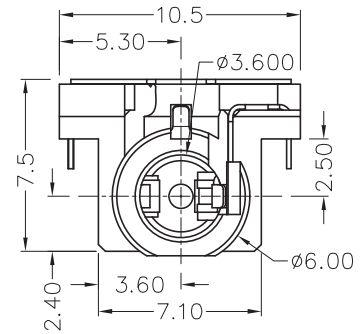
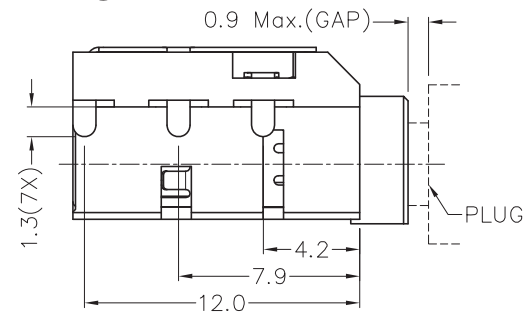
B

A

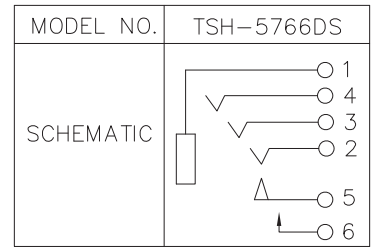
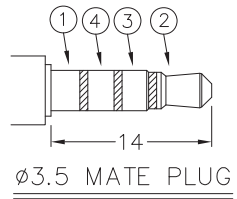
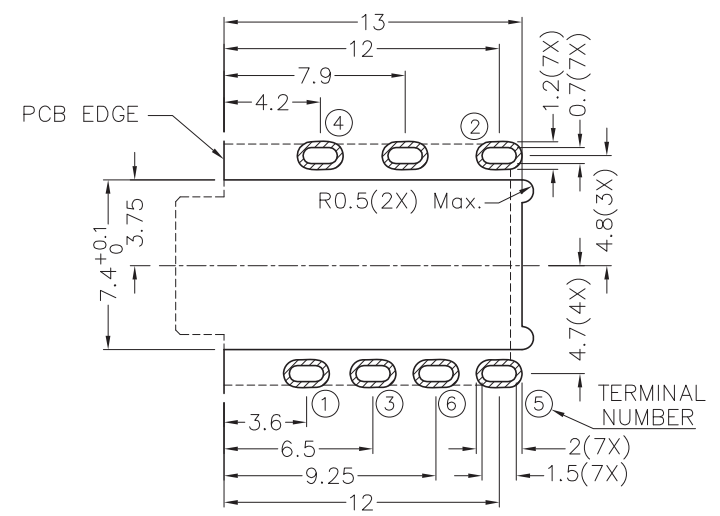


RoHS
Compliant

ZONE	SYMBOL	REVISION	APPROVAL	DATE



* MATERIAL
 TERMINAL 1 : COPPER ALLOY
 TERMINAL 2 : COPPER ALLOY
 TERMINAL 3 : COPPER ALLOY
 TERMINAL 4 : COPPER ALLOY
 TERMINAL 5 : COPPER ALLOY
 TERMINAL 6 : COPPER ALLOY
 SHIELD : BRASS
 HOUSING : PA10T
 INSULATOR : PA10T



RECOMMENDED PCB LAYOUT
 TOLERANCE: ±0.05
 (TOP VIEW)

CHAMPWAY 冠泰電子有限公司
 CHAMPWAY ELECTRONICS CO., LTD.

PART NAME	3.5mm SMD STEREO JACK	TOLERANCE UNLESS	0.0±0.2	UNIT:	
PART NO.	TSH-576DS	OTHERWISE SPECIFIED:	0.00±0.1 0.000±0.05		

DESIGN	G.P.YI	DATE	8-5-2013	SCALE	3:1
DRAWING	G.P.YI	DATE	29-7-2013	MATERIAL	*
CHECK		DATE		DWG. NO.	TZ\SH576DS-PA10T/A
APPROVAL		DATE		SHEET	

F

E

D

C

B

A