

F

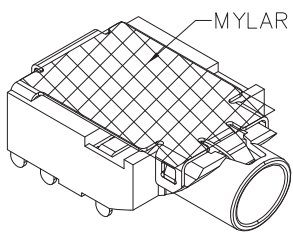
E

D

C

B

A

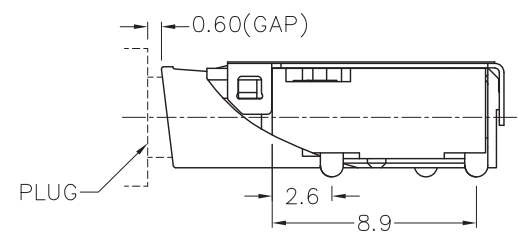
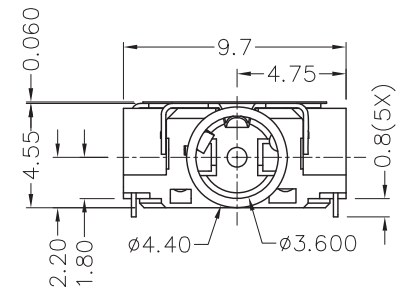
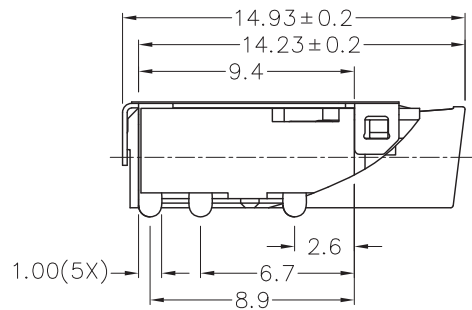


RoHS
Compliant

| ZONE | SYMBOL | REVISION | APPROVAL | DATE |
|------|--------|----------|----------|------|
| | | | | |
| | | | | |
| | | | | |

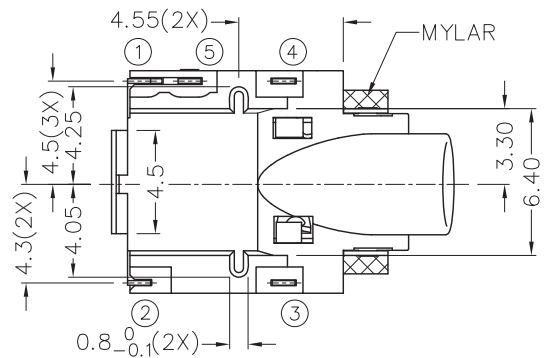
1

1



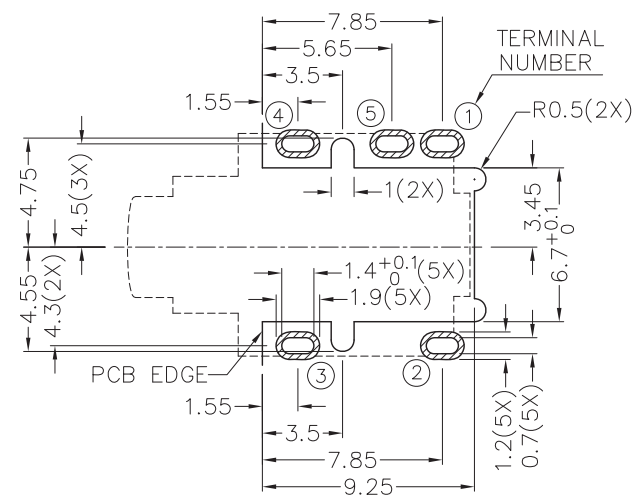
2

2



* MATERIAL

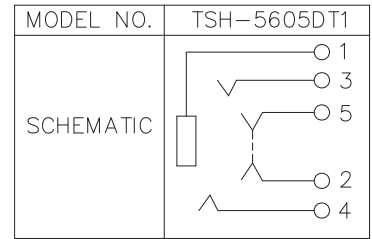
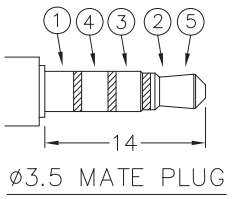
- TERMINAL 1 : COPPER ALLOY
- TERMINAL 2 : COPPER ALLOY
- TERMINAL 3 : COPPER ALLOY
- TERMINAL 4 : COPPER ALLOY
- TERMINAL 5 : COPPER ALLOY
- MYLAR : POLYIMIDE
- HOUSING : PA10T



RECOMMENDED PCB LAYOUT
TOLERANCE: ±0.05
(TOP VIEW)

3

3



4

4

CHAMPWAY 冠泰電子有限公司
CHAMPWAY ELECTRONICS CO., LTD.

| | | | | | |
|----------|---------|------|------------|----------|---------------------|
| DESIGN | H.L.TAN | DATE | 30-10-2012 | SCALE | 3:1 |
| DRAWING | H.L.TAN | DATE | 20-11-2012 | MATERIAL | * |
| CHECK | | DATE | | DWG. NO. | TZ\SH560DT1-PA10T/A |
| APPROVAL | | DATE | | SHEET | |

| | | | | |
|-----------|-----------------------|----------------------|------------------------|-------|
| PART NAME | 3.5mm SMD STEREO JACK | TOLERANCE UNLESS | 0.0±0.2 | UNIT: |
| PART NO. | TSH-560DT1 | OTHERWISE SPECIFIED: | 0.00±0.1 0.000±0.05 | |

F

E

D

C

B

A