

F

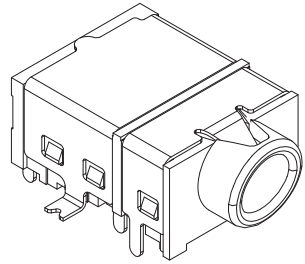
E

D

C

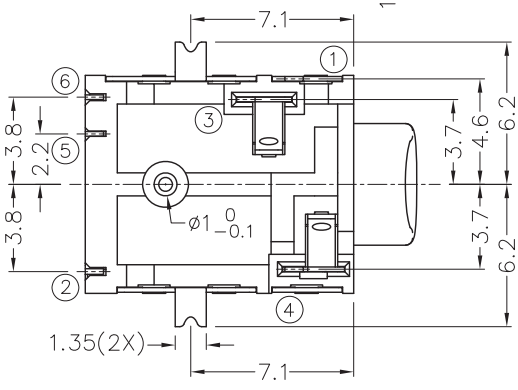
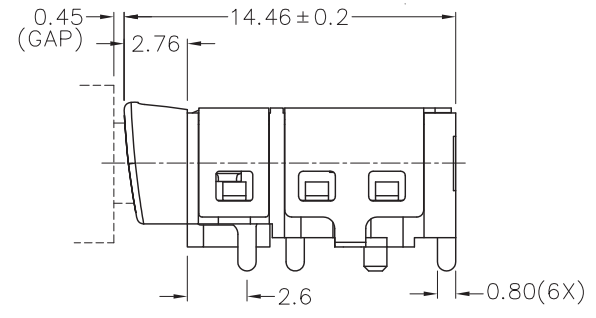
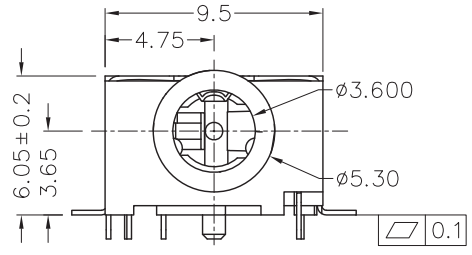
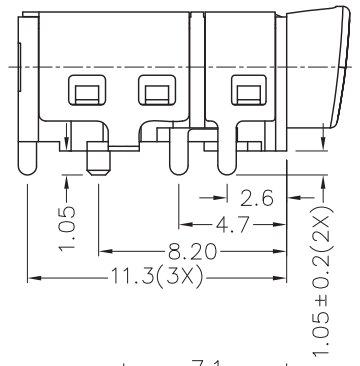
B

A

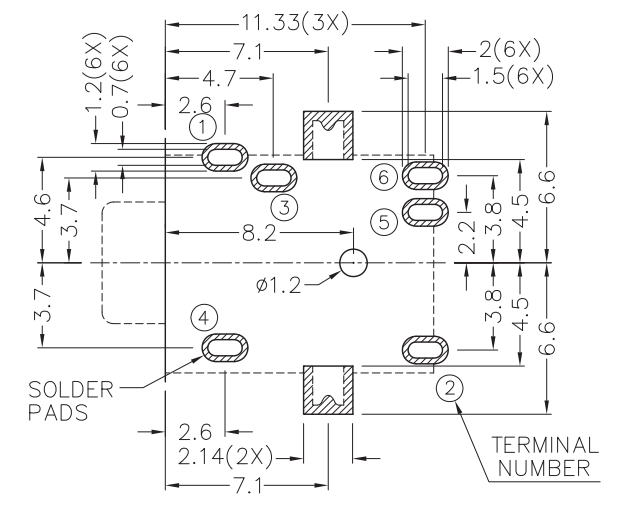
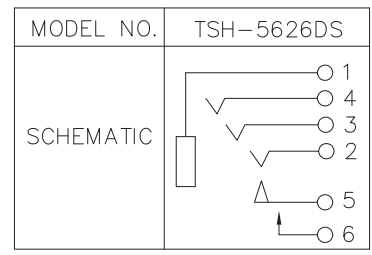


RoHS  
Compliant

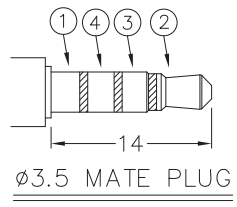
ZONE	SYMBOL	REVISION	APPROVAL	DATE



\* MATERIAL  
 TERMINAL 1 : COPPER ALLOY  
 TERMINAL 2 : COPPER ALLOY  
 TERMINAL 3 : COPPER ALLOY  
 TERMINAL 4 : COPPER ALLOY  
 TERMINAL 5 : COPPER ALLOY  
 TERMINAL 6 : COPPER ALLOY  
 SHIELD : BRASS  
 HOUSING : PA10T  
 INSULATOR : PA10T



RECOMMENDED PCB LAYOUT  
 TOLERANCE: ±0.05  
 (TOP VIEW)



**CHAMPWAY** 冠泰電子有限公司  
 CHAMPWAY ELECTRONICS CO., LTD.

PART NAME	3.5mm SMD STEREO JACK	TOLERANCE UNLESS	0.0±0.2	UNIT:	mm
PART NO.	TSH-562DS	OTHERWISE SPECIFIED:	0.00±0.1 0.000±0.05		

DESIGN	CH.XIONG	DATE	31-10-2012	SCALE	3:1
DRAWING	CH.XIONG	DATE	17-12-2012	MATERIAL	*
CHECK		DATE		DWG. NO.	TZ\SH562DS-PA10T/A
APPROVAL		DATE		SHEET	

F

E

D

C

B

A