

F

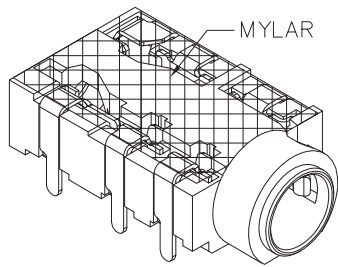
E

D

C

B

A

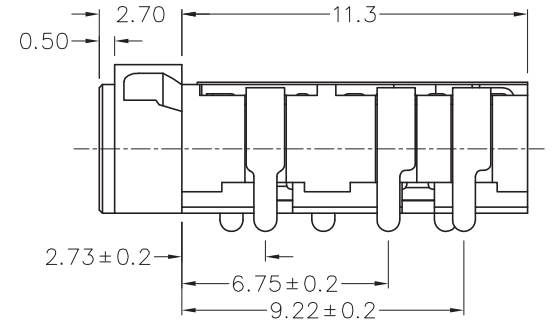
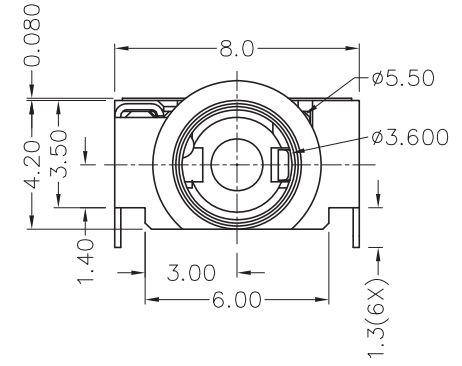
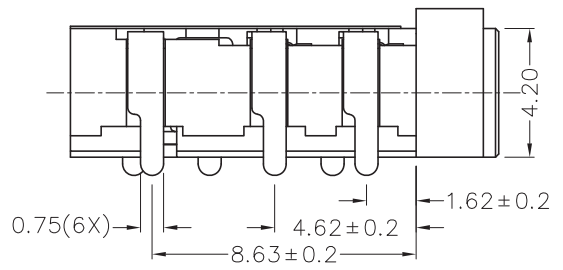


RoHS
Compliant

ZONE	SYMBOL	REVISION	APPROVAL	DATE

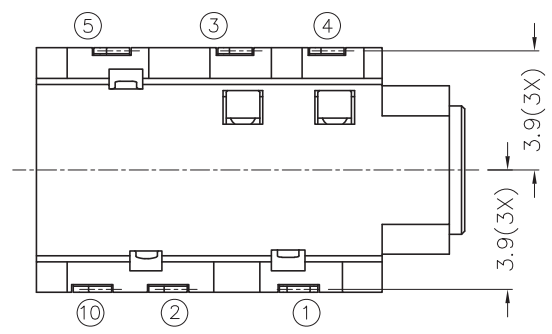
1

1



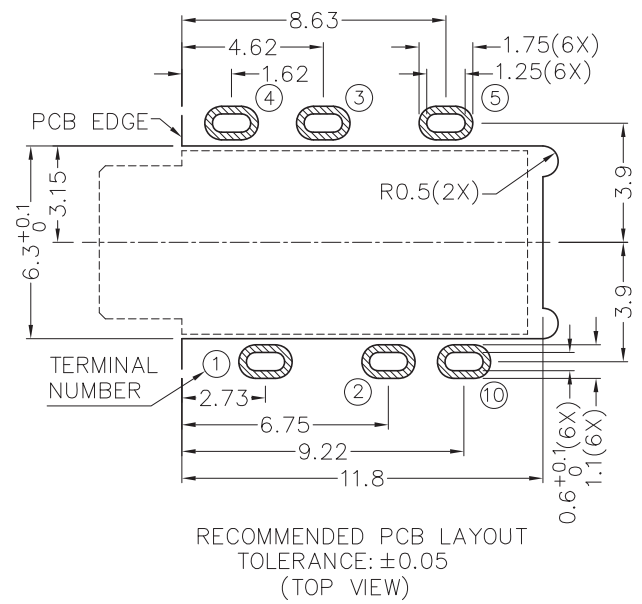
2

2



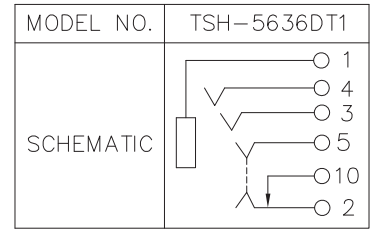
* MATERIAL

- TERMINAL 1 : COPPER ALLOY
- TERMINAL 2 : COPPER ALLOY
- TERMINAL 3 : COPPER ALLOY
- TERMINAL 4 : COPPER ALLOY
- TERMINAL 5 : COPPER ALLOY
- TERMINAL 10 : COPPER ALLOY
- MYLAR : POLYIMIDE
- HOUSING : PA10T



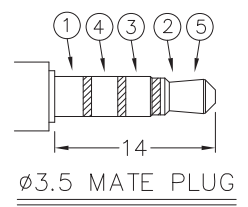
3

3



4

4



RECOMMENDED PCB LAYOUT
TOLERANCE: ±0.05
(TOP VIEW)

CHAMPWAY 冠泰电子有限公司
CHAMPWAY ELECTRONICS CO., LTD.

PART NAME	3.5mm SMD STEREO JACK	TOLERANCE UNLESS	0.0±0.2	UNIT:	mm
PART NO.	TSH-563DT1	OTHERWISE SPECIFIED:	0.00±0.1 0.000±0.05		

DESIGN	H.L.TAN	DATE	26-3-2013	SCALE	4:1
DRAWING	H.L.TAN	DATE	20-4-2013	MATERIAL	*
CHECK		DATE		DWG. NO.	TZ\SH563DT1-PA10T/A
APPROVAL		DATE		SHEET	

F

E

D

C

B

A