

F

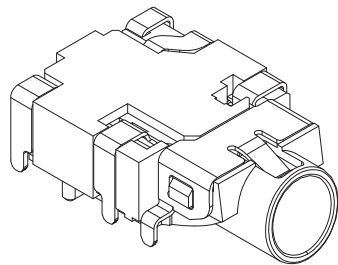
E

D

C

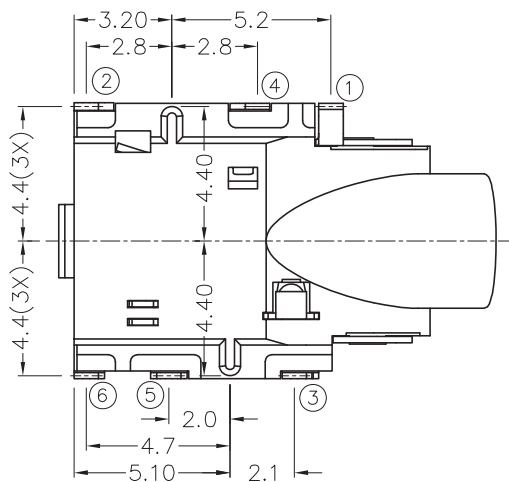
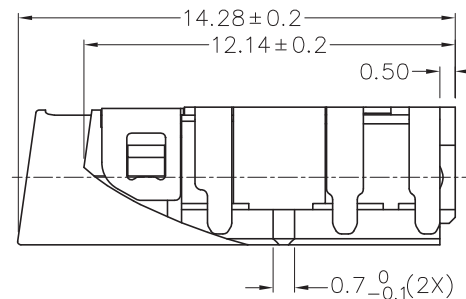
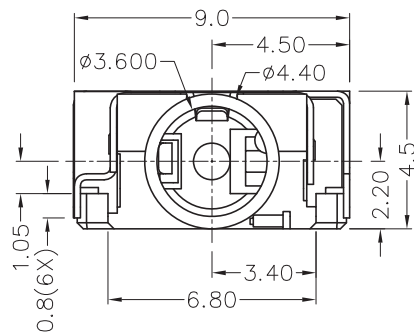
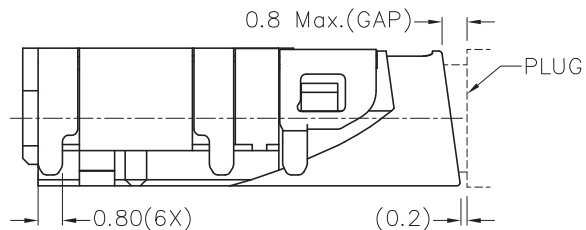
B

A



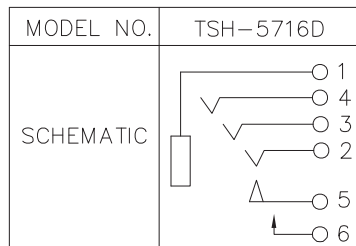
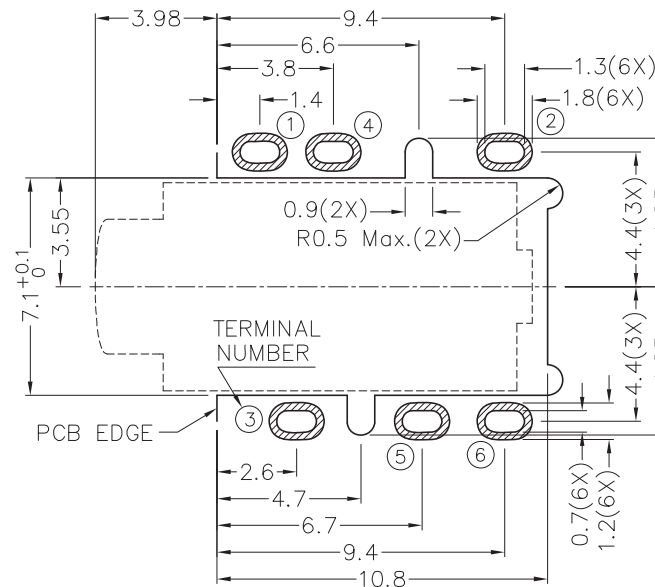
RoHS  
Compliant

ZONE	SYMBOL	REVISION	APPROVAL	DATE

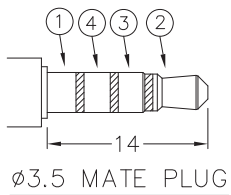


\* MATERIAL

- TERMINAL 1 : COPPER ALLOY
- TERMINAL 2 : COPPER ALLOY
- TERMINAL 3 : COPPER ALLOY
- TERMINAL 4 : COPPER ALLOY
- TERMINAL 5 : COPPER ALLOY
- TERMINAL 6 : COPPER ALLOY
- HOUSING : PA10T
- INSULATOR : PA10T



RECOMMENDED PCB LAYOUT  
TOLERANCE: ±0.05  
(TOP VIEW)



**CHAMPWAY** 冠泰電子有限公司  
CHAMPWAY ELECTRONICS CO., LTD.

DESIGN	T.Y.LI	DATE	9-4-2013	SCALE	4:1
DRAWING	T.Y.LI	DATE	11-4-2013	MATERIAL	*
CHECK		DATE		DWG. NO.	TZ\SH571D-PA10T/A
APPROVAL		DATE		SHEET	

PART NAME	3.5mm SMD STEREO JACK	TOLERANCE UNLESS	0.0±0.2	UNIT: 
PART NO.	TSH-571D	OTHERWISE SPECIFIED:	0.00±0.1 0.000±0.05	

F

E

D

C

B

A