

F

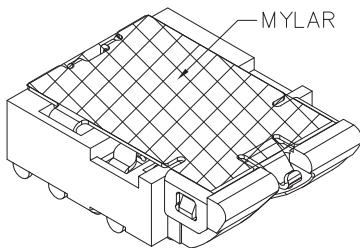
E

D

C

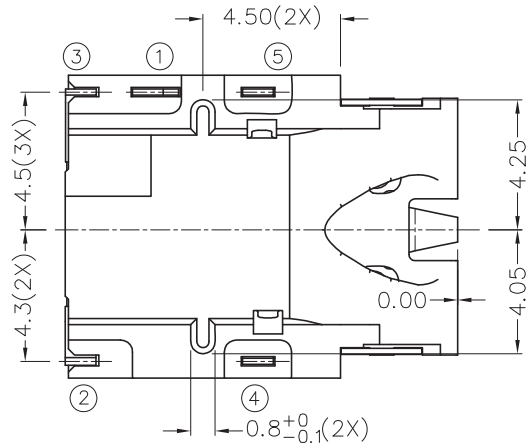
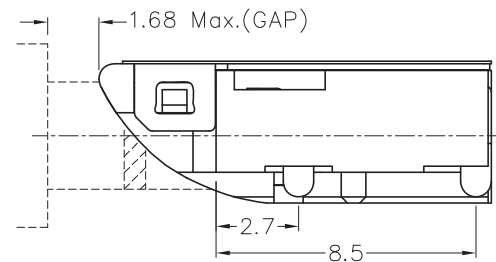
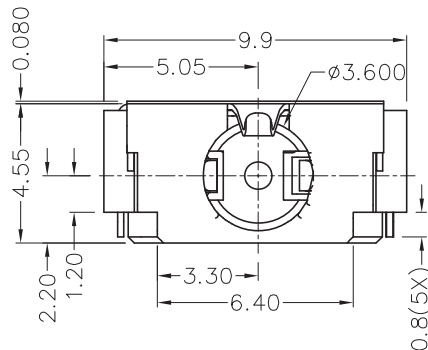
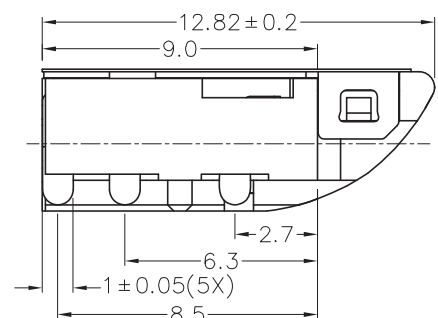
B

A



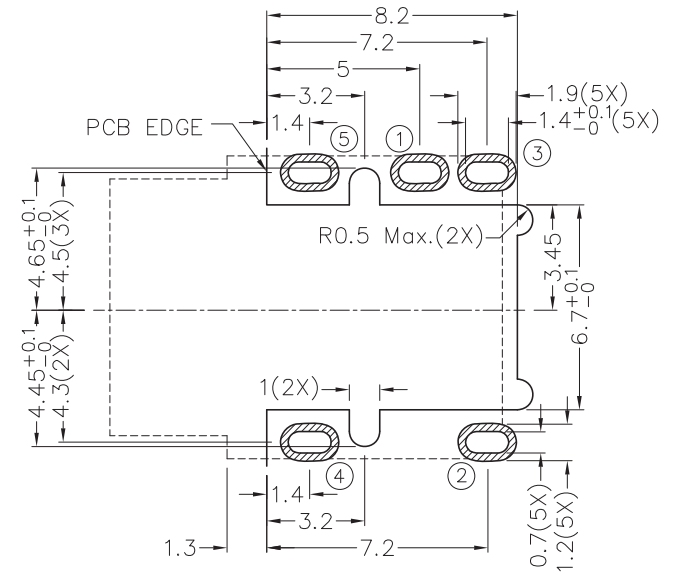
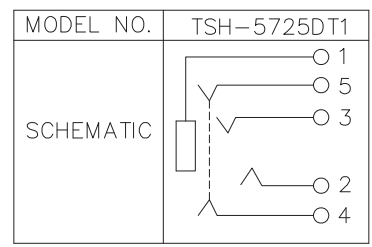
RoHS
Compliant

ZONE	SYMBOL	REVISION	APPROVAL	DATE

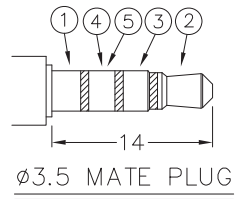


* MATERIAL

- TERMINAL 1 : COPPER ALLOY
- TERMINAL 2 : COPPER ALLOY
- TERMINAL 3 : COPPER ALLOY
- TERMINAL 4 : COPPER ALLOY
- TERMINAL 5 : COPPER ALLOY
- MYLAR : POLYIMIDE
- HOUSING : PA10T



RECOMMENDED PCB LAYOUT
TOLERANCE: ±0.05
(TOP VIEW)



CHAMPWAY 冠泰電子有限公司
CHAMPWAY ELECTRONICS CO., LTD.

DESIGN	H.L.TAN	DATE	26-2-2013	SCALE	4:1
DRAWING	J.X.CAI	DATE	8-5-2013	MATERIAL	*
CHECK		DATE		DWG. NO.	TZ\SH572DT1-PA10T/A
APPROVAL		DATE		SHEET	

PART NAME	3.5mm SMD STEREO JACK	TOLERANCE UNLESS	0.0±0.2	UNIT:
PART NO.	TSH-572DT1	OTHERWISE SPECIFIED:	0.00±0.1 0.000±0.05	

F

E

D

C

B

A