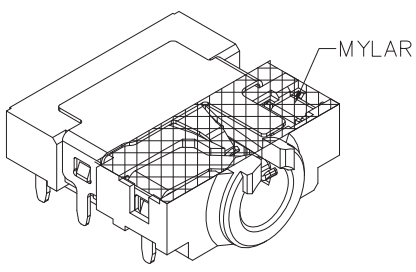
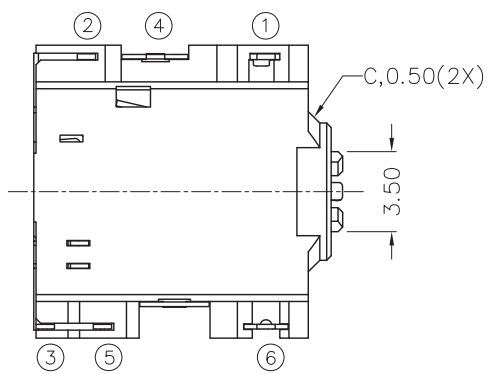
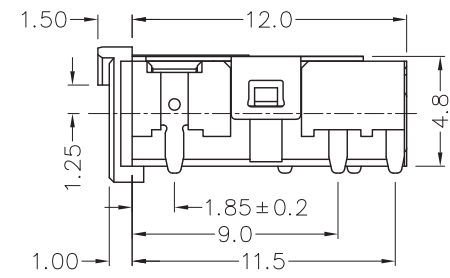
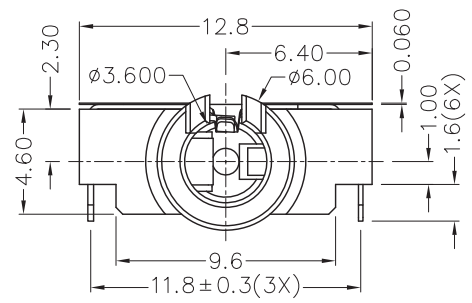
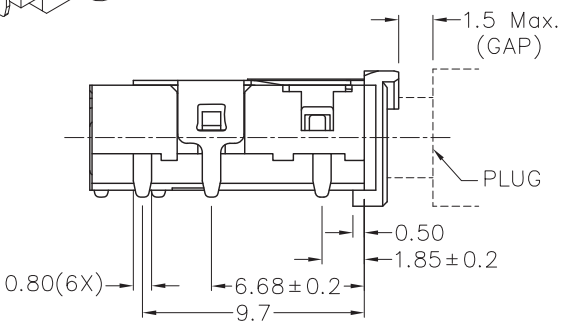


F E D C B A

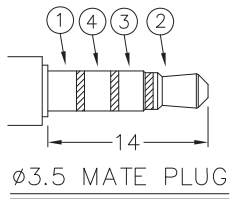
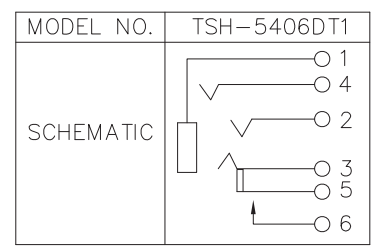
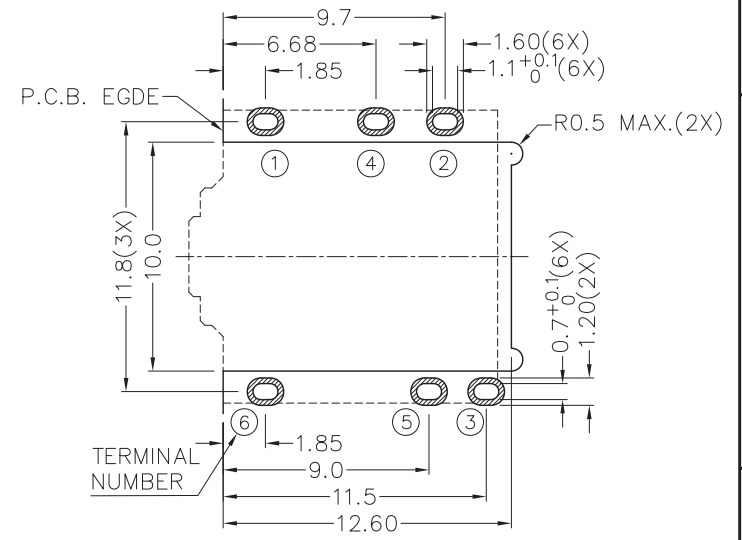


RoHS  
Compliant

ZONE	SYMBOL	REVISION	APPROVAL	DATE



- \* MATERIAL
- TERMINAL 1 : COPPER ALLOY
  - TERMINAL 2 : COPPER ALLOY
  - TERMINAL 3 : COPPER ALLOY
  - TERMINAL 4 : COPPER ALLOY
  - TERMINAL 5 : COPPER ALLOY
  - TERMINAL 6 : COPPER ALLOY
  - HOUSING : PA6T
  - MYLAR : POLYIMIDE



**CHAMPWAY** 冠泰电子有限公司  
CHAMPWAY ELECTRONICS CO., LTD.

DESIGN	H.L.TAN	DATE	13-2-2012	SCALE	3:1
DRAWING	H.L.TAN	DATE	22-2-2012	MATERIAL	*
CHECK		DATE		DWG. NO.	TZ\SH540DT1-PA6T/A
APPROVAL		DATE		SHEET	

PART NAME	3.5mm SMD STEREO JACK	TOLERANCE UNLESS	0.0±0.2	UNIT:
PART NO.	TSH-540DT1	OTHERWISE SPECIFIED:	0.00±0.1 0.000±0.05	

F E D C B A