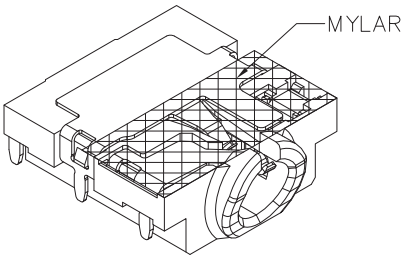


F E D C B A

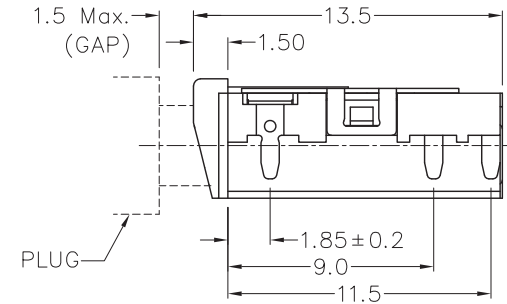
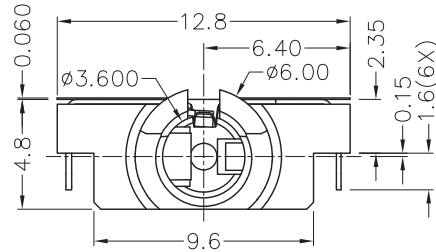
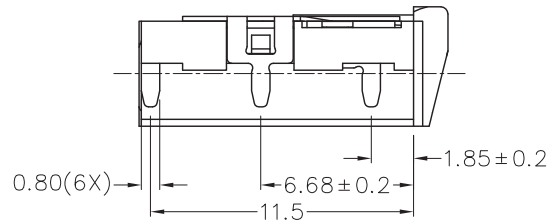


RoHS  
Compliant

ZONE	SYMBOL	REVISION	APPROVAL	DATE

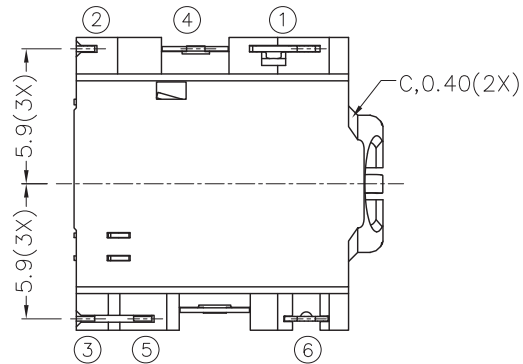
1

1



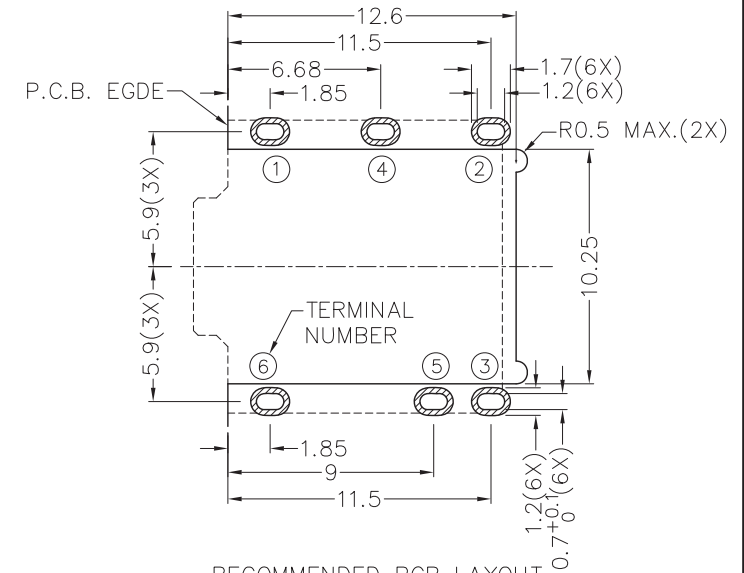
2

2



\* MATERIAL

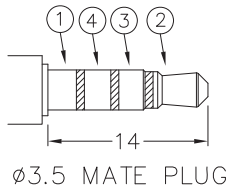
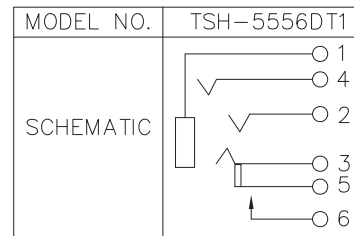
- TERMINAL 1 : COPPER ALLOY
- TERMINAL 2 : COPPER ALLOY
- TERMINAL 3 : COPPER ALLOY
- TERMINAL 4 : COPPER ALLOY
- TERMINAL 5 : COPPER ALLOY
- TERMINAL 6 : COPPER ALLOY
- HOUSING : PA6T
- MYLAR : POLYIMIDE



RECOMMENDED PCB LAYOUT  
TOLERANCE: ±0.05  
(TOP VIEW)

3

3



4

4

**CHAMPWAY** 冠泰電子有限公司  
CHAMPWAY ELECTRONICS CO., LTD.

DESIGN	H.L.TAN	DATE	14-8-2012	SCALE	3:1
DRAWING	CH.XIONG	DATE	13-11-2012	MATERIAL	*
CHECK		DATE		DWG. NO.	TZ\SH555DT1-PA6T/A
APPROVAL		DATE		SHEET	

PART NAME	3.5mm SMD STEREO JACK	TOLERANCE UNLESS	0.0±0.2	UNIT:
PART NO.	TSH-555DT1	OTHERWISE SPECIFIED:	0.00±0.1 0.000±0.05	

F E D C B A