

F

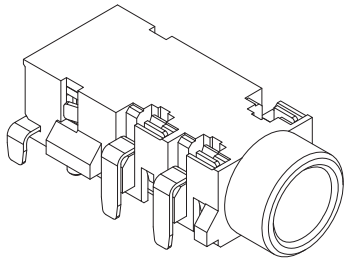
E

D

C

B

A

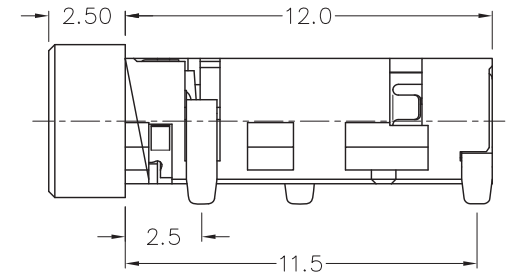
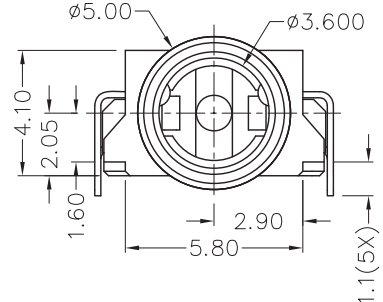
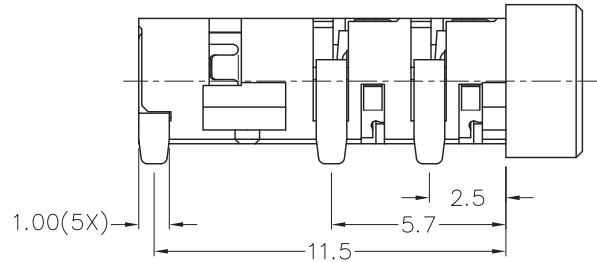


RoHS
Compliant

ZONE	SYMBOL	REVISION	APPROVAL	DATE

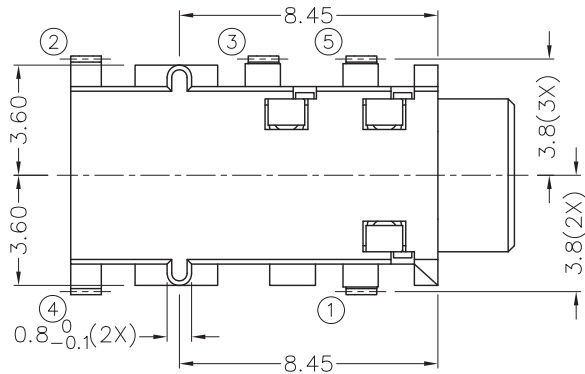
1

1

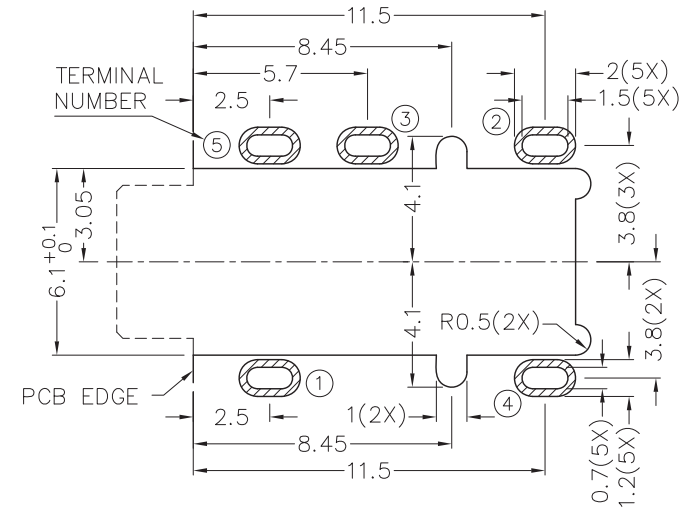


2

2

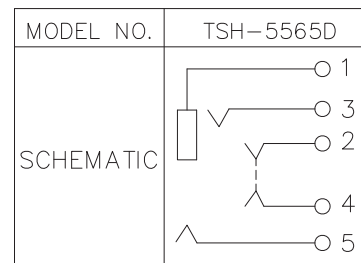


* MATERIAL
 TERMINAL 1 : COPPER ALLOY
 TERMINAL 2 : COPPER ALLOY
 TERMINAL 3 : COPPER ALLOY
 TERMINAL 4 : COPPER ALLOY
 TERMINAL 5 : COPPER ALLOY
 HOUSING : PA6T



3

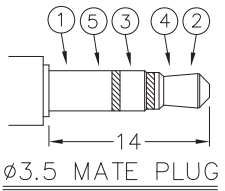
3



RECOMMENDED PCB LAYOUT
 TOLERANCE: ±0.05
 (TOP VIEW)

4

4



CHAMPWAY 冠泰電子有限公司
 CHAMPWAY ELECTRONICS CO., LTD.

PART NAME	3.5mm SMD STEREO JACK	TOLERANCE UNLESS	0.0±0.2	UNIT:		DESIGN	CH.XIONG	DATE	26-9-2012	SCALE	4:1
PART NO.	TSH-556D	OTHERWISE SPECIFIED:	0.00±0.1 0.000±0.05	mm		DRAWING	CH.XIONG	DATE	17-10-2012	MATERIAL	*
						CHECK		DATE		DWG. NO.	TZ\SH556D-PA6T/A
						APPROVAL		DATE		SHEET	

F

E

D

C

B

A