

F

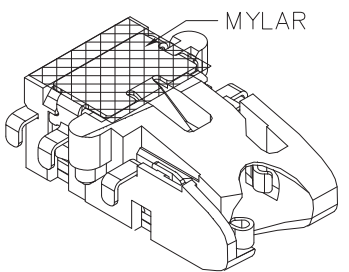
E

D

C

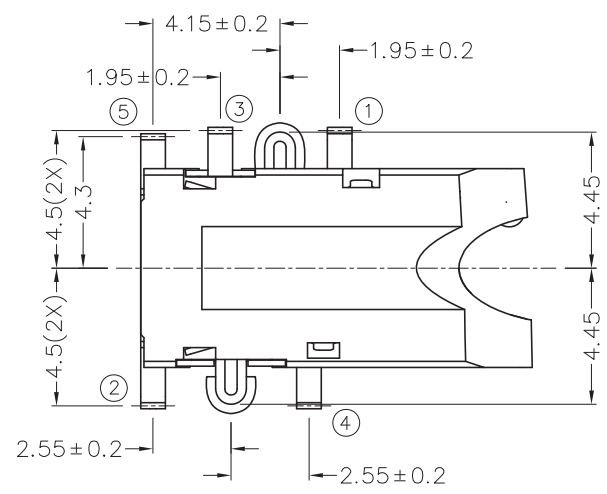
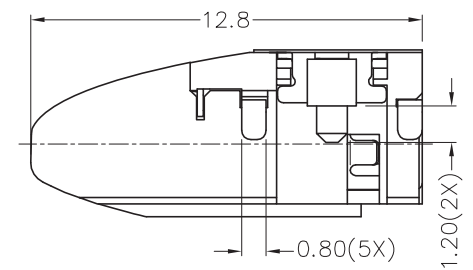
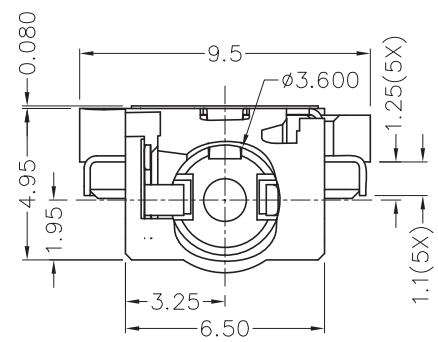
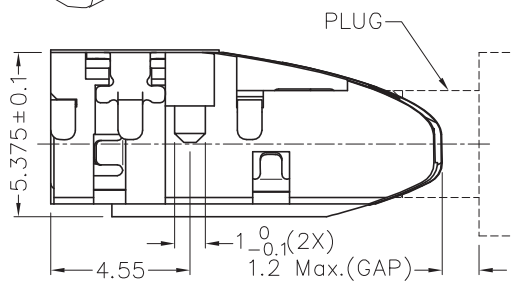
B

A

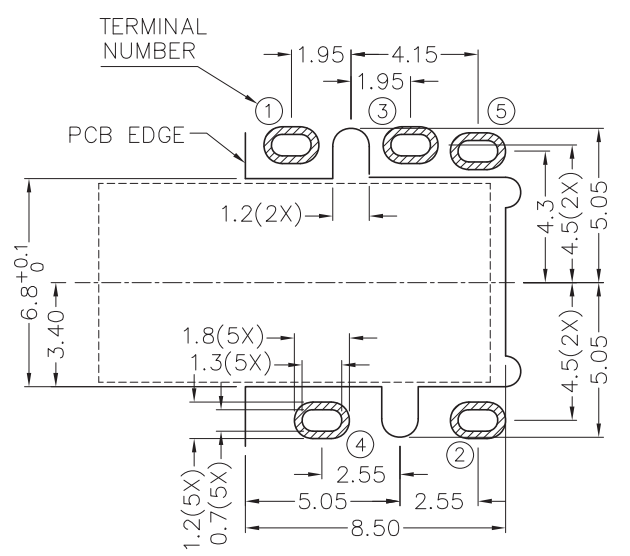
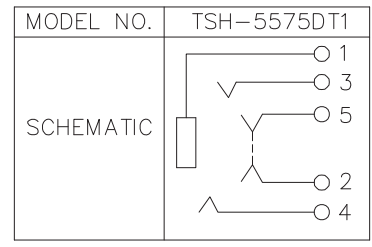
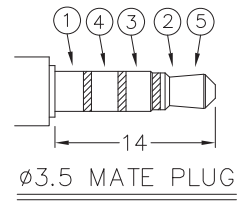


**RoHS**  
Compliant

ZONE	SYMBOL	REVISION	APPROVAL	DATE



**\* MATERIAL**  
 TERMINAL 1 : COPPER ALLOY  
 TERMINAL 2 : COPPER ALLOY  
 TERMINAL 3 : COPPER ALLOY  
 TERMINAL 4 : COPPER ALLOY  
 TERMINAL 5 : COPPER ALLOY  
 HOUSING : PA10T  
 MYLAR : POLYIMIDE



RECOMMENDED PCB LAYOUT  
 TOLERANCE: ±0.05  
 (TOP VIEW)

**CHAMPWAY** 冠泰电子有限公司  
 CHAMPWAY ELECTRONICS CO., LTD.

PART NAME	3.5mm SMD STEREO JACK	TOLERANCE UNLESS	0.0±0.2	UNIT:	
PART NO.	TSH-557DT1	OTHERWISE SPECIFIED:	0.00±0.1 0.000±0.05		

DESIGN	H.L.TAN	DATE	6-10-2012	SCALE	4:1
DRAWING	CH.XIONG	DATE	19-12-2012	MATERIAL	*
CHECK		DATE		DWG. NO.	TZ\SH557DT1-PA10T/A
APPROVAL		DATE		SHEET	

F

E

D

C

B

A