

F

E

D

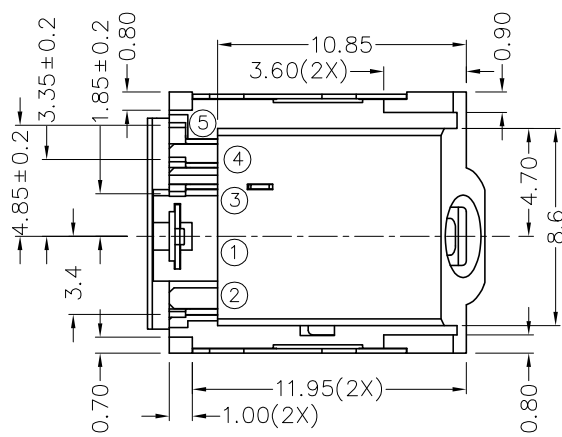
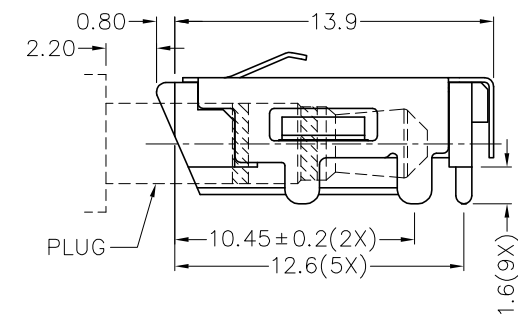
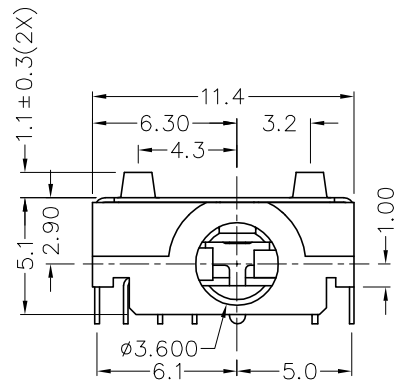
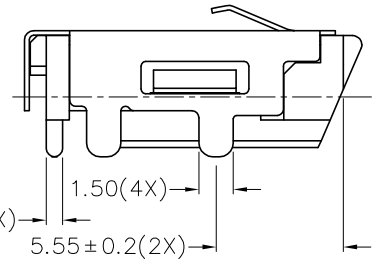
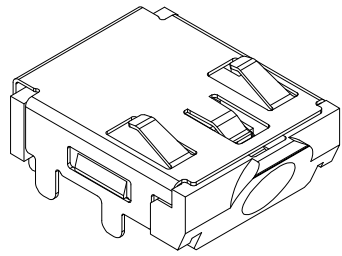
C

B

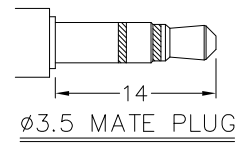
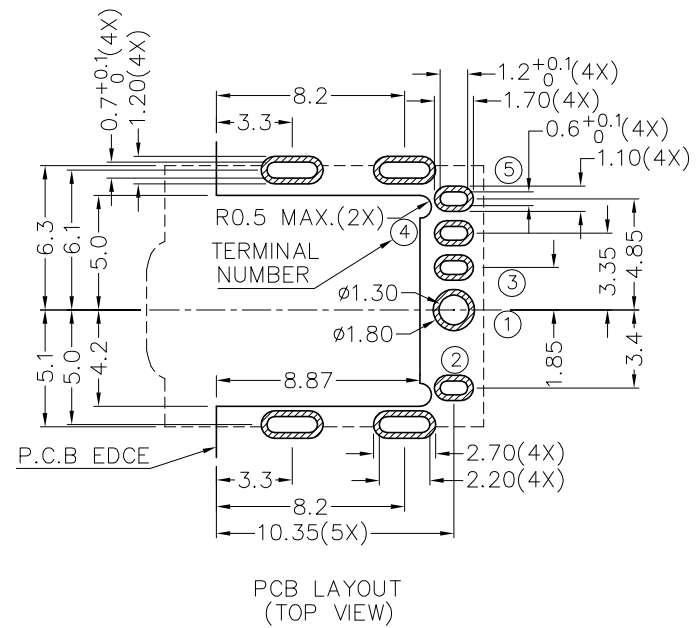
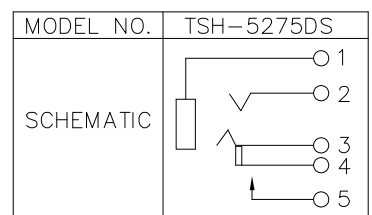
A

RoHS
Compliant

ZONE	SYMBOL	REVISION	APPROVAL	DATE



- * MATERIAL
- TERMINAL 1 : COPPER ALLOY
 - TERMINAL 2 : COPPER ALLOY
 - TERMINAL 3 : COPPER ALLOY
 - TERMINAL 4 : COPPER ALLOY
 - TERMINAL 5 : COPPER ALLOY
 - SHIELD : COPPER ALLOY
 - HOUSING : PA6T



CHAMPWAY 冠泰電子有限公司
CHAMPWAY ELECTRONICS CO., LTD.

PART NAME	3.5mm SMD STEREO JACK	TOLERANCE UNLESS	0.0±0.2	UNIT:	mm
PART NO.	TSH-527DS	OTHERWISE SPECIFIED:	0.00±0.1 0.000±0.05		

DESIGN	G.P.YI	DATE	16-4-2010	SCALE	3:1
DRAWING	H.L.TAN	DATE	8-9-2010	MATERIAL	*
CHECK		DATE		DWG. NO.	TZ\SH527DS-PA6T/A
APPROVAL		DATE		SHEET	

F

E

D

C

B

A