

F

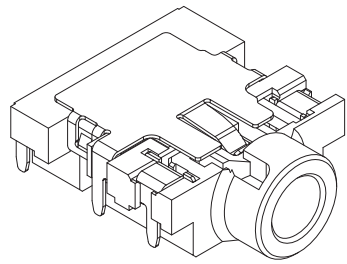
E

D

C

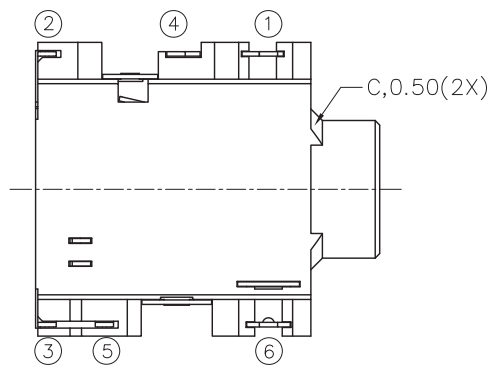
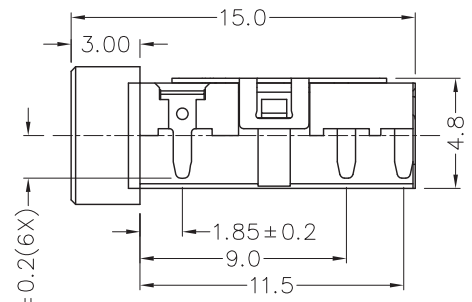
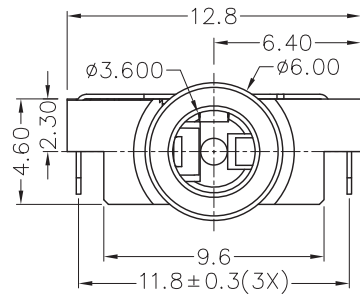
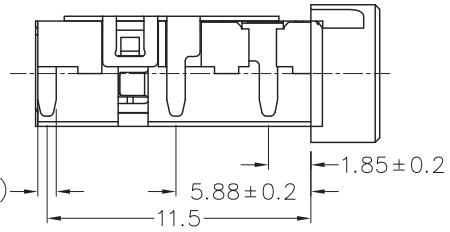
B

A



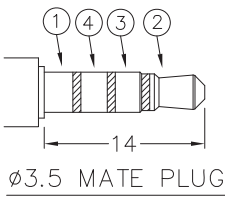
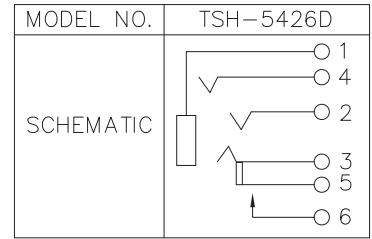
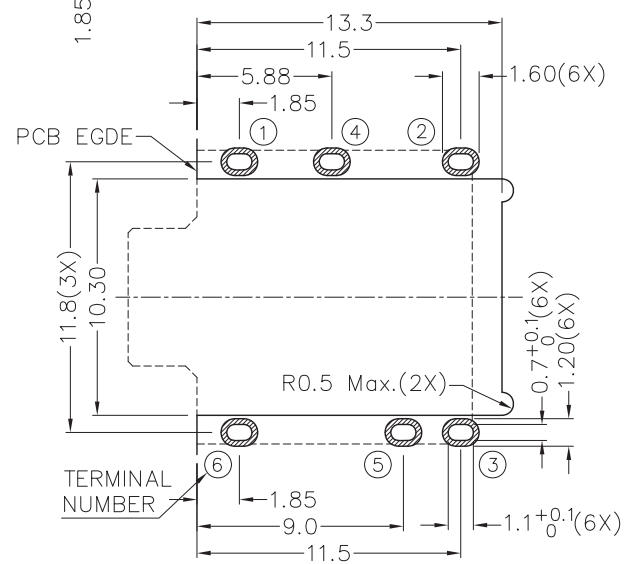
RoHS
Compliant

ZONE	SYMBOL	REVISION	APPROVAL	DATE



* MATERIAL

- TERMINAL 1 : COPPER ALLOY
- TERMINAL 2 : COPPER ALLOY
- TERMINAL 3 : COPPER ALLOY
- TERMINAL 4 : COPPER ALLOY
- TERMINAL 5 : COPPER ALLOY
- TERMINAL 6 : COPPER ALLOY
- HOUSING : PA6T



PCB LAYOUT
(TOP VIEW)

 **CHAMPWAY** 冠泰電子有限公司
CHAMPWAY ELECTRONICS CO., LTD.

PART NAME	3.5mm SMD STEREO JACK	TOLERANCE UNLESS	0.0±0.2	UNIT:	
PART NO.	TSH-542D	OTHERWISE SPECIFIED:	0.00±0.1 0.000±0.05		

DESIGN	H.L.TAN	DATE	27-9-2011	SCALE	3:1
DRAWING	H.L.TAN	DATE	27-9-2011	MATERIAL	*
CHECK		DATE		DWG. NO.	TZ\SH542D-PA6T/A
APPROVAL		DATE		SHEET	

F

E

D

C

B

A