

F

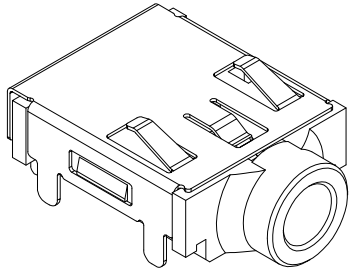
E

D

C

B

A

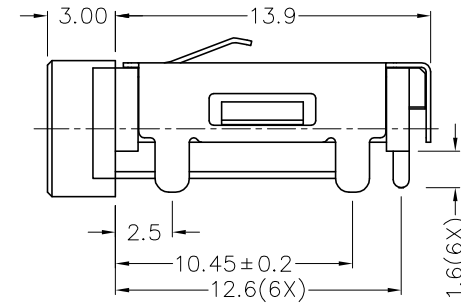
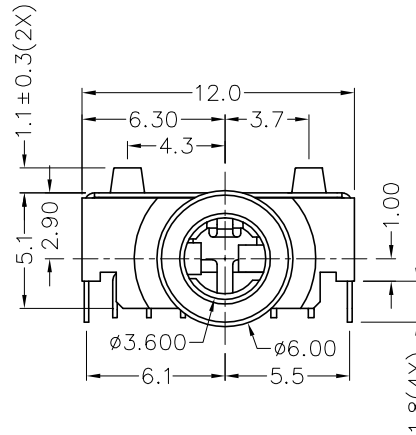
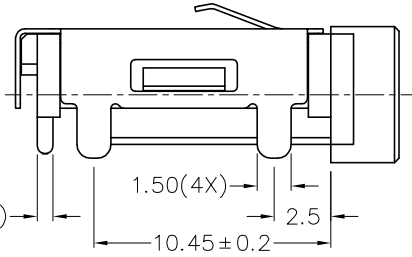


RoHS
Compliant

ZONE	SYMBOL	REVISION	APPROVAL	DATE

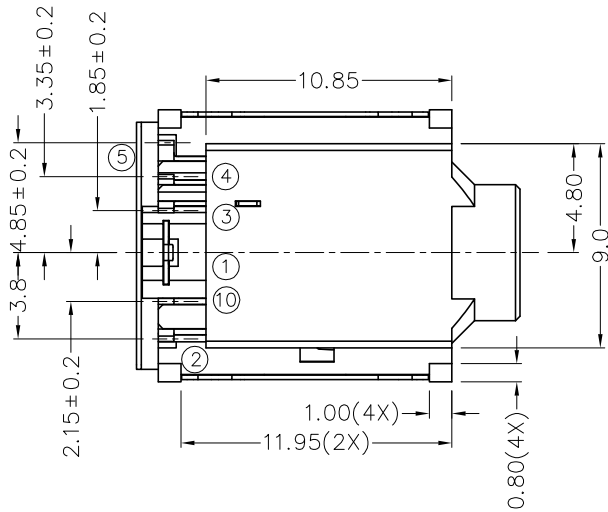
1

1



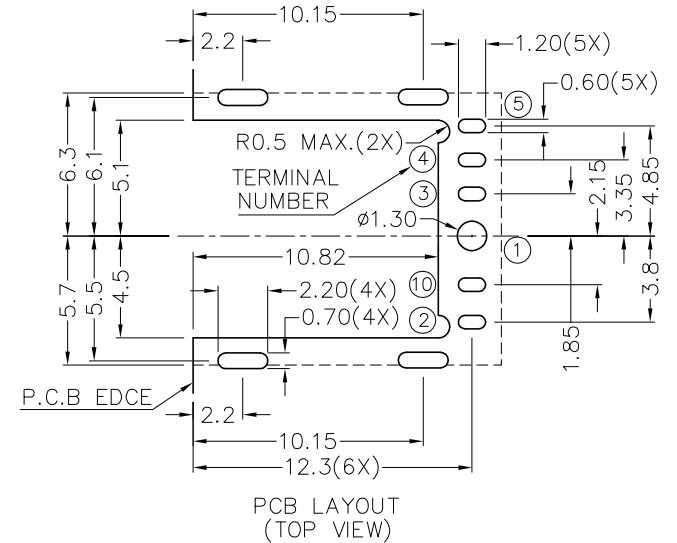
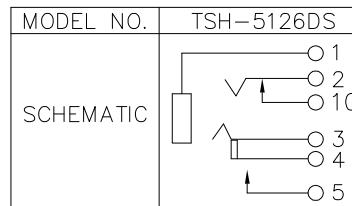
2

2



* MATERIAL

TERMINAL 1 : COPPER ALLOY
 TERMINAL 2 : COPPER ALLOY
 TERMINAL 3 : COPPER ALLOY
 TERMINAL 4 : COPPER ALLOY
 TERMINAL 5 : COPPER ALLOY
 TERMINAL 10 : BRASS
 SHIELD : COPPER ALLOY
 HOUSING : PA6T

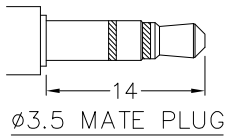


3

3

4

4



CHAMPWAY 冠泰電子有限公司
 CHAMPWAY ELECTRONICS CO., LTD.

DESIGN	G.P.YI	DATE	5-2-2009	SCALE	3:1
DRAWING	T.Y.LI	DATE	18-3-2009	MATERIAL	*
PART NAME	3.5mm SMD STEREO JACK	TOLERANCE UNLESS	0.0±0.2	CHECK	DATE
PART NO.	TSH-512DS	OTHERWISE SPECIFIED:	0.00±0.1 0.000±0.05	APPROVAL	DATE
		UNIT:	mm	DWG. NO.	TZ\SH512DS-PA6T/A
				SHEET	

F

E

D

C

B

A