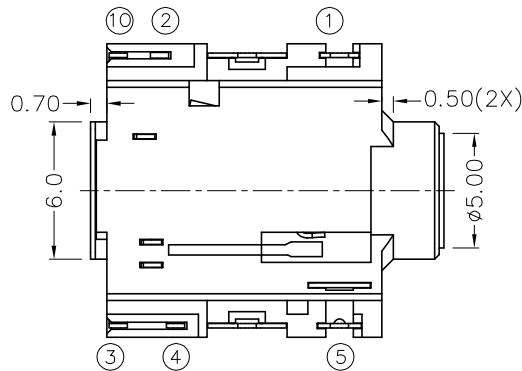
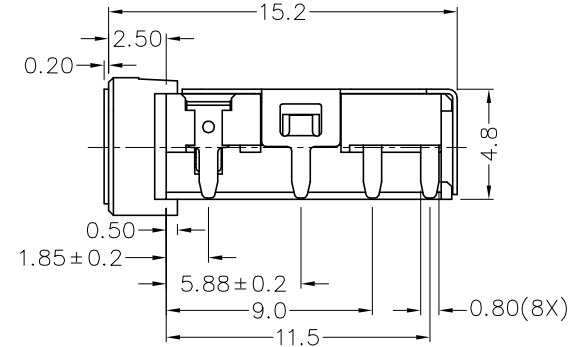
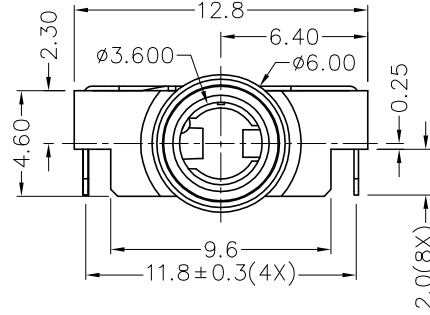
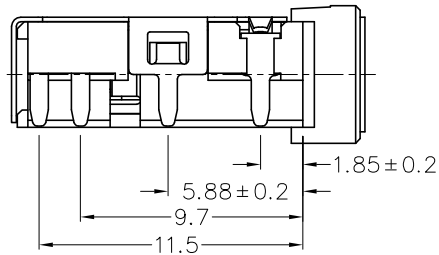


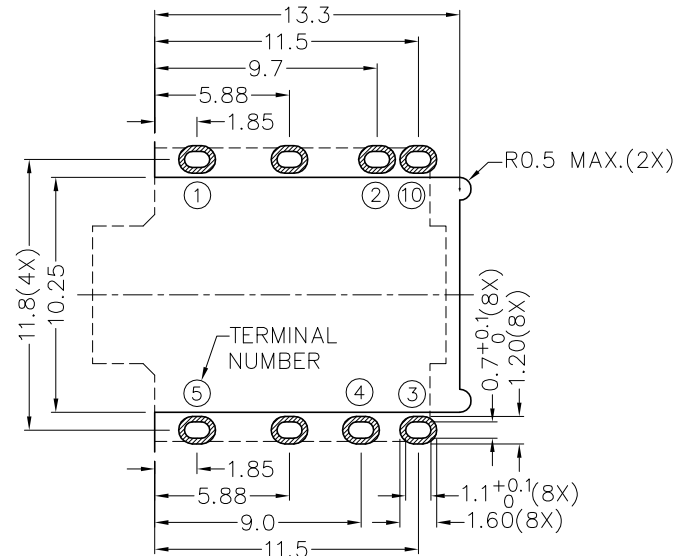
RoHS  
Compliant

ZONE	SYMBOL	REVISION	APPROVAL	DATE
		SHIELD MODIFIED	J.X.KUANG	12-1-2010

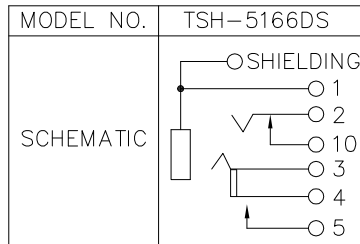
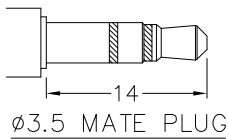


\* MATERIAL

- TERMINAL 1 : COPPER ALLOY
- TERMINAL 2 : COPPER ALLOY
- TERMINAL 3 : COPPER ALLOY
- TERMINAL 4 : COPPER ALLOY
- TERMINAL 5 : COPPER ALLOY
- TERMINAL 10 : COPPER ALLOY
- SHIELD : COPPER ALLOY
- BUSHING : BRASS
- HOUSING : PA6T



PCB LAYOUT  
(TOP VIEW)



**CHAMPWAY** 冠泰電子有限公司  
CHAMPWAY ELECTRONICS CO., LTD.

DESIGN	G.P.YI	DATE	19-5-2009	SCALE	3:1
DRAWING	T.Y.LI	DATE	12-1-2010	MATERIAL	*
CHECK		DATE		DWG. NO.	TZ\SH516DS-PA6T/B
APPROVAL		DATE		SHEET	

PART NAME	3.5mm SMD STEREO JACK	TOLERANCE UNLESS	0.0±0.2	UNIT:	mm
PART NO.	TSH-516DS	OTHERWISE SPECIFIED:	0.00±0.1 0.000±0.05		

F E D C B A