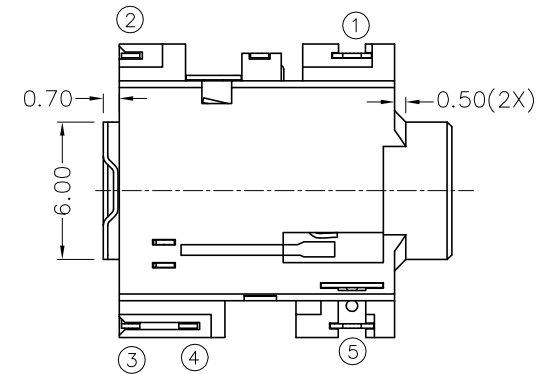
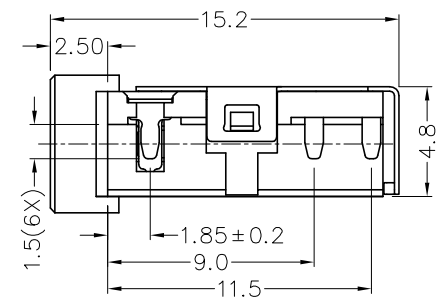
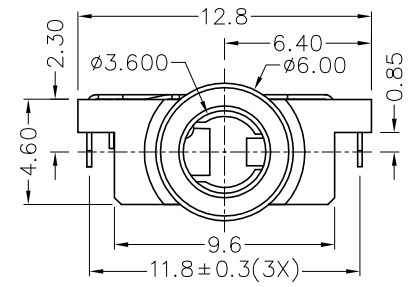
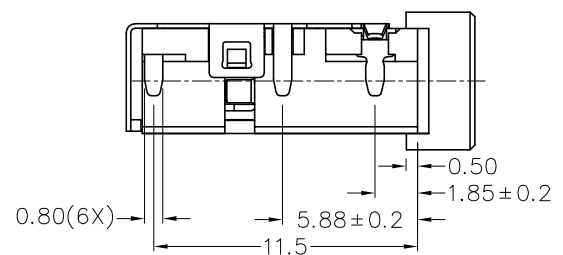
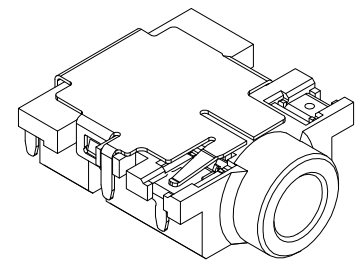


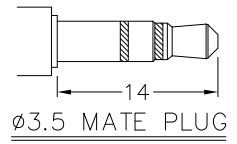
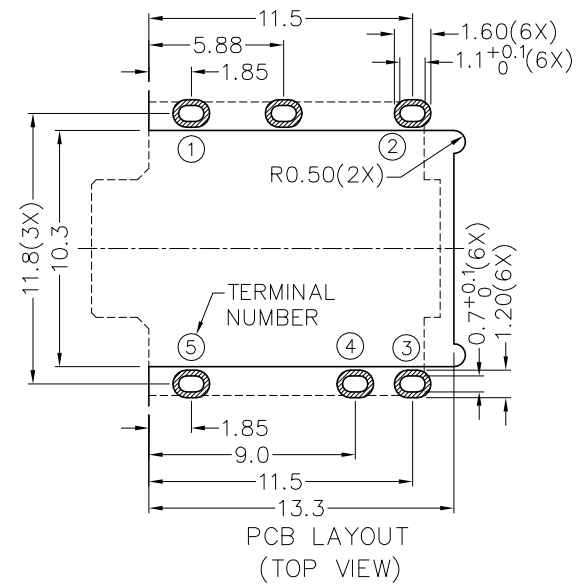
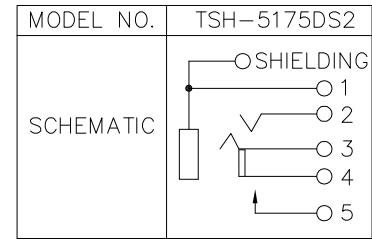
F E D C B A

ZONE	SYMBOL	REVISION	APPROVAL	DATE

RoHS
Compliant



*** MATERIAL**
 TERMINAL 1 : COPPER ALLOY
 TERMINAL 2 : COPPER ALLOY
 TERMINAL 3 : COPPER ALLOY
 TERMINAL 4 : COPPER ALLOY
 TERMINAL 5 : COPPER ALLOY
 SHIELD : COPPER ALLOY
 HOUSING : PA6T



CHAMPWAY 冠泰電子有限公司
 CHAMPWAY ELECTRONICS CO., LTD.

PART NAME	3.5mm SMD STEREO JACK	TOLERANCE UNLESS 0.0±0.2 0.00±0.1 OTHERWISE SPECIFIED: 0.000±0.05	UNIT: mm	DESIGN	H.L.TAN	DATE	12-5-2011	SCALE	3:1
				DRAWING	H.L.TAN	DATE	12-5-2011	MATERIAL	*
PART NO.	TSH-517DS2			CHECK		DATE		DWG. NO.	TZ\SH517DS2-PA6T/A
				APPROVAL		DATE		SHEET	

F E D C B A