

F

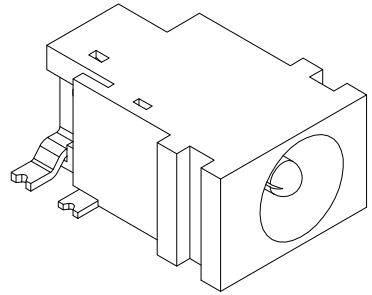
E

D

C

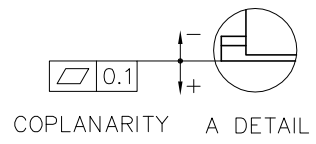
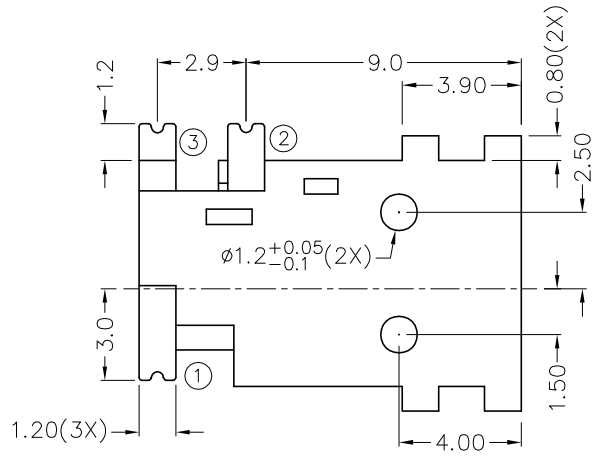
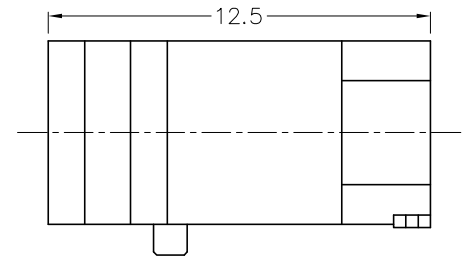
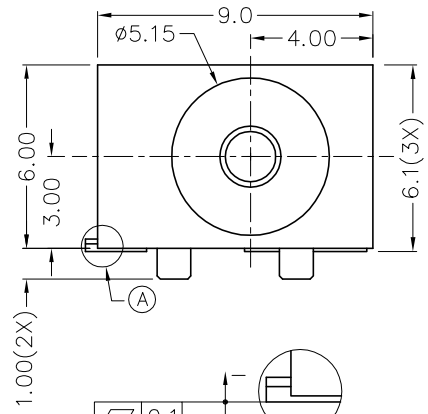
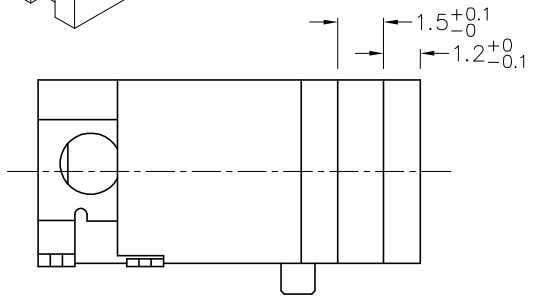
B

A

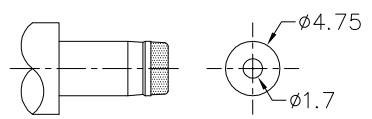
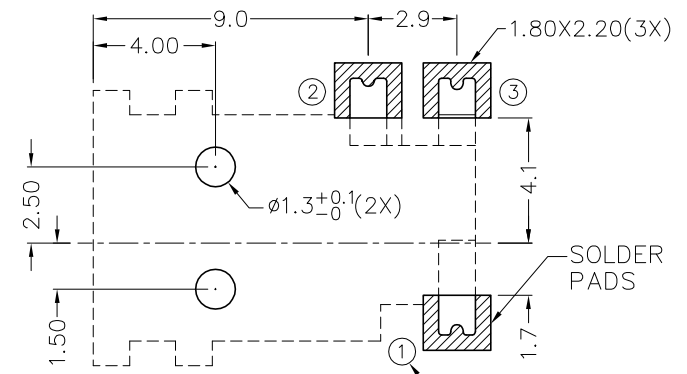


RoHS  
Compliant

ZONE	SYMBOL	REVISION	APPROVAL	DATE
		ADDED INDICATION OF COPLANARITY	J.X.KUANG	13-1-2009



**\* MATERIAL**  
 TERMINAL 1 : BRASS  
 TERMINAL 2 : COPPER ALLOY  
 TERMINAL 3 : BRASS  
 HOUSING : PA6T



DC MATE PLUG

MODEL NO.	TDC-023H
SCHEMATIC	
CENTER PIN	∅1.65mm

**CHAMPWAY** 冠泰電子有限公司  
 CHAMPWAY ELECTRONICS CO., LTD.

DESIGN	T.Y.LI	DATE	10-10-2003	SCALE	4:1
DRAWING	T.Y.LI	DATE	13-1-2009	MATERIAL	*
CHECK		DATE		DWG. NO.	TZ\PC023H-PA6T/C
APPROVAL		DATE		SHEET	

PART NAME	HIGH CURRENT SMD DC POWER SOCKET	TOLERANCE UNLESS	0.0±0.2	UNIT:	
PART NO.	TDC-023H	OTHERWISE SPECIFIED:	0.00±0.1 0.000±0.05	mm	

F

E

D

C

B

A