

F

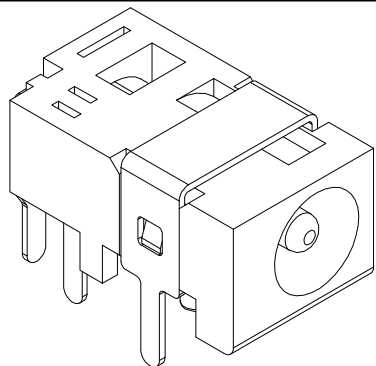
E

D

C

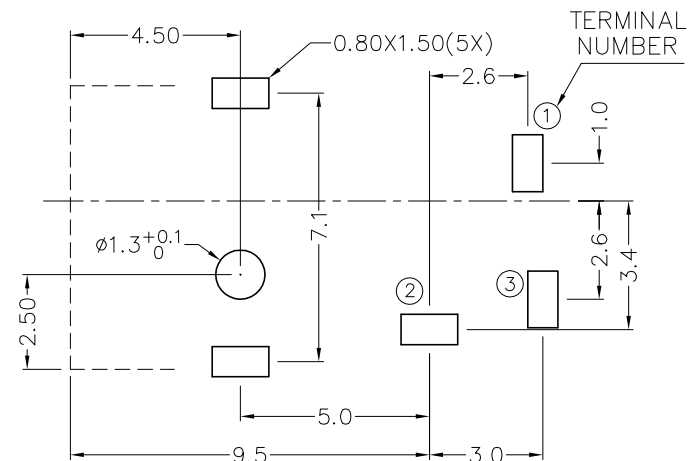
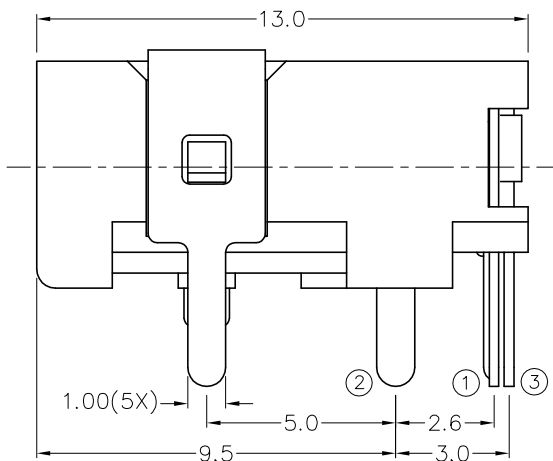
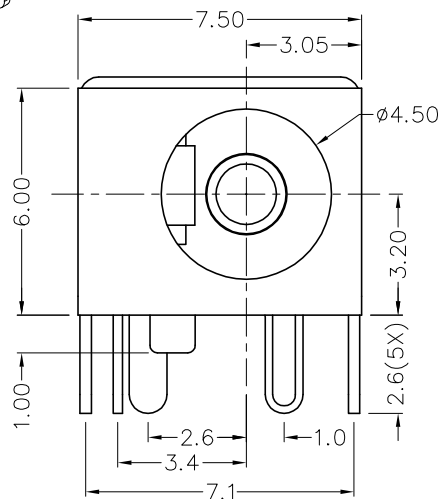
B

A



RoHS  
Compliant

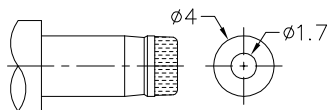
| ZONE | SYMBOL | REVISION           | APPROVAL  | DATE      |
|------|--------|--------------------|-----------|-----------|
|      |        | ADD RoHS Compliant | J.X.KUANG | 11-7-2006 |
|      |        |                    |           |           |
|      |        |                    |           |           |



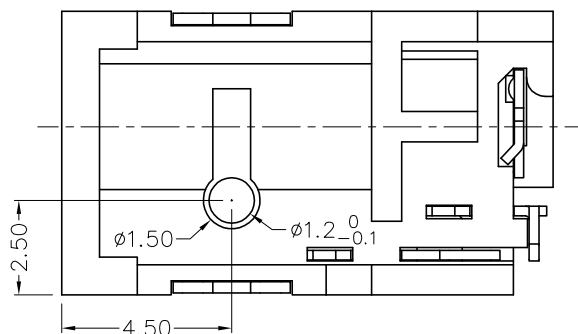
PCB LAYOUT  
(BOTTOM VIEW)

\* MATERIAL

TERMINAL 1 : BRASS  
 TERMINAL 2 : COPPER ALLOY  
 TERMINAL 3 : BRASS  
 SHIELD : BRASS  
 HOUSING : PBT



DC MATE PLUG



|            |                      |
|------------|----------------------|
| MODEL NO.  | TDC-035S             |
| SCHEMATIC  | 1, 3, 2              |
| CENTER PIN | $\phi 1.65\text{mm}$ |



**CHAMPWAY** 冠泰電子有限公司  
CHAMPWAY ELECTRONICS CO., LTD.

|           |                 |                      |                        |       |          |        |           |      |            |                 |     |
|-----------|-----------------|----------------------|------------------------|-------|----------|--------|-----------|------|------------|-----------------|-----|
| PART NAME | DC POWER SOCKET | TOLERANCE UNLESS     | 0.0±0.2                | UNIT: |          | DESIGN | J.X.KUANG | DATE | 10-10-2003 | SCALE           | 5:1 |
| PART NO.  | TDC-035S        | OTHERWISE SPECIFIED: | 0.00±0.1<br>0.000±0.05 | mm    |          | CHECK  | T.Y.LI    | DATE | 11-7-2006  | MATERIAL        | *   |
|           |                 |                      |                        |       | APPROVAL |        | DATE      |      | DWG. NO.   | TZ\DC035S-PBT/B |     |
|           |                 |                      |                        |       |          |        | DATE      |      | SHEET      |                 |     |

F

E

D

C

B

A

DCF-04/A