

F

E

D

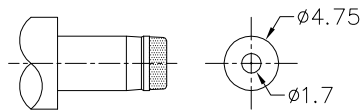
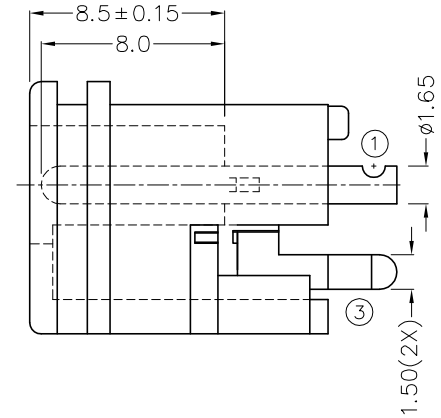
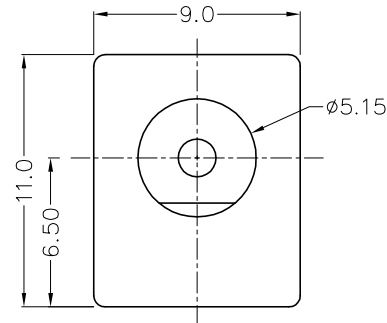
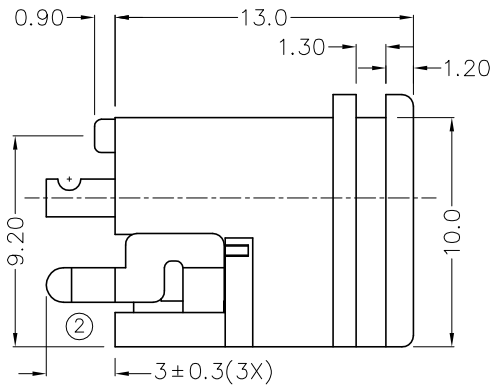
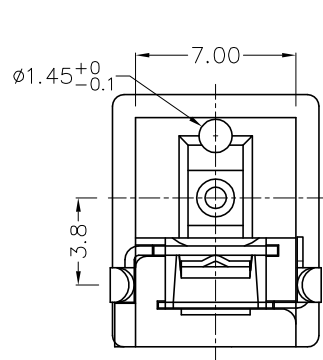
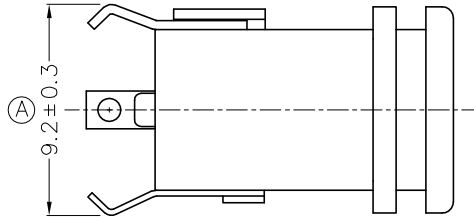
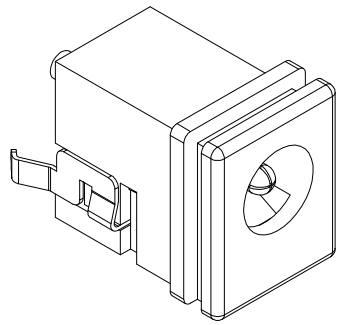
C

B

A

ZONE	SYMBOL	REVISION	APPROVAL	DATE
E1	Ⓐ	9.0 MODIFIED TO 9.2	J.X.KUANG	20-5-2010

RoHS
Compliant

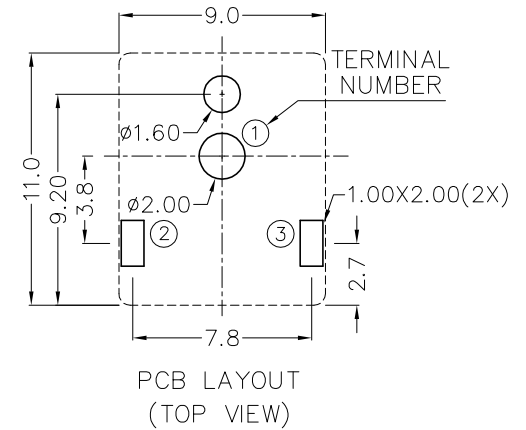


DC MATE PLUG

MODEL NO.	TDC-036
SCHEMATIC	1
	2
CENTRE PIN	∅1.65mm

* MATERIAL

- TERMINAL 1 : BRASS
- TERMINAL 2 : COPPER ALLOY
- TERMINAL 3 : BRASS
- HOUSING : PBT



CHAMPWAY 冠泰電子有限公司
CHAMPWAY ELECTRONICS CO., LTD.

PART NAME	DC POWER SOCKET	TOLERANCE UNLESS	0.0±0.2	UNIT:
PART NO.	TDC-036	OTHERWISE SPECIFIED:	0.00±0.1 0.000±0.05	

DESIGN	T.Y.LI	DATE	10-10-2003	SCALE	3:1
DRAWING	T.Y.LI	DATE	20-5-2010	MATERIAL	*
CHECK		DATE		DWG. NO.	TZ\DC036-PBT/D
APPROVAL		DATE		SHEET	

F

E

D

C

B

A