

F

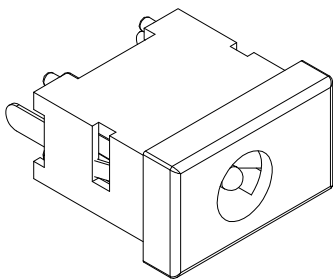
E

D

C

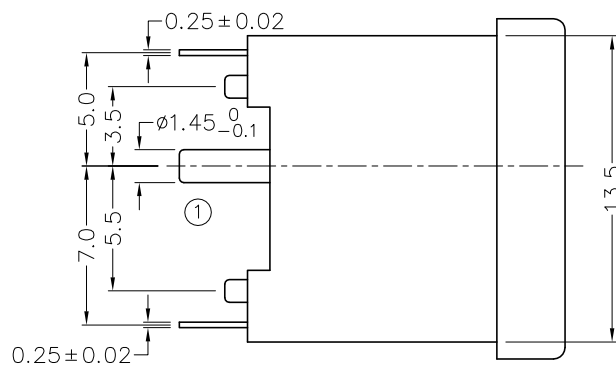
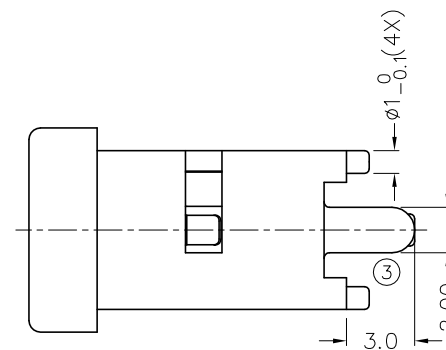
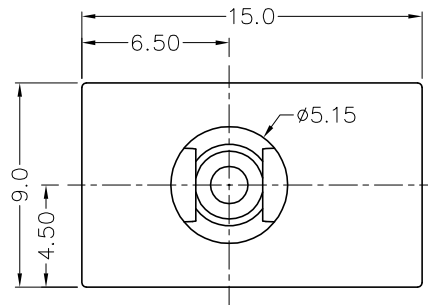
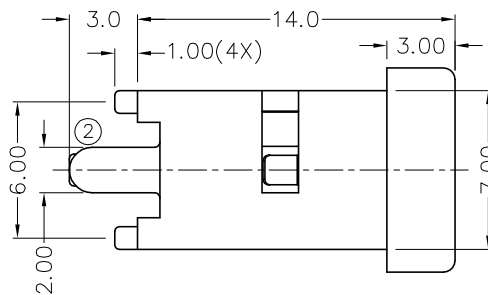
B

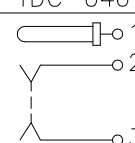
A



RoHS
Compliant

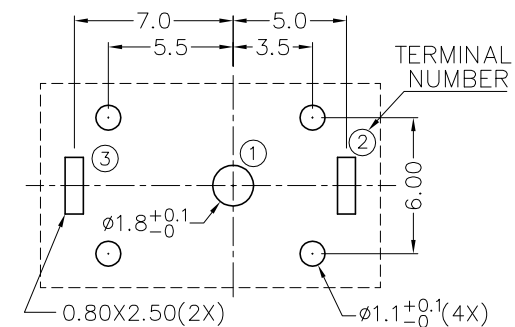
ZONE	SYMBOL	REVISION	APPROVAL	DATE
		ADD MATE PLUG	J.X.KUANG	29-9-2006



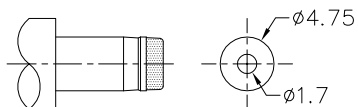
MODEL NO.	TDC-046
SCHEMATIC	
CENTRE PIN	$\phi 1.65\text{mm}$

* MATERIAL

TERMINAL 1 : BRASS
 TERMINAL 2 : COPPER ALLOY
 TERMINAL 3 : COPPER ALLOY
 HOUSING : PBT 94V-0



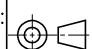
PCB LAYOUT
(BOTTOM VIEW)



DC MATE PLUG



CHAMPWAY 冠泰電子有限公司
CHAMPWAY ELECTRONICS CO., LTD.

PART NAME	DC POWER SOCKET	TOLERANCE UNLESS	0.0±0.2	UNIT:		DESIGN	L.L.ZHANG	DATE	10-10-2005	SCALE	3:1
PART NO.	TDC-046	OTHERWISE SPECIFIED:	0.00±0.1 0.000±0.05	mm		CHECK		DATE		MATERIAL	*
					APPROVAL		DATE		DWG. NO.	TZ\DC046-PBT/C	
							DATE		SHEET		

F

E

D

C

B

A

DCF-04/A