

F

E

D

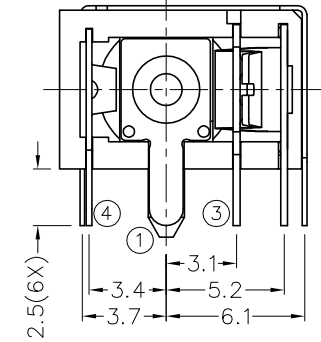
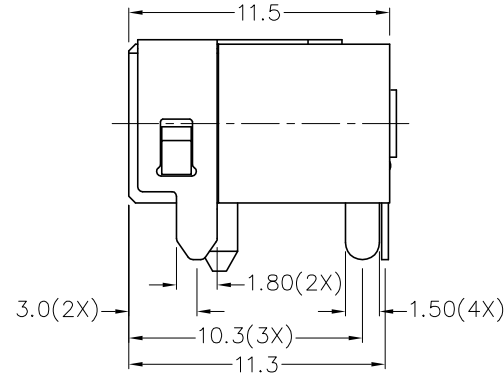
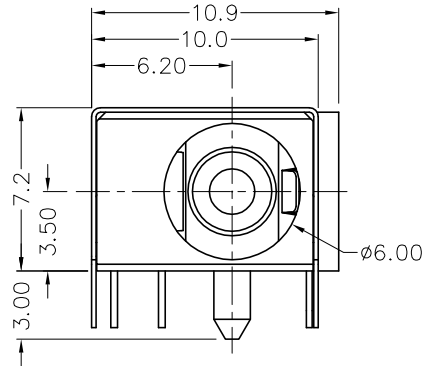
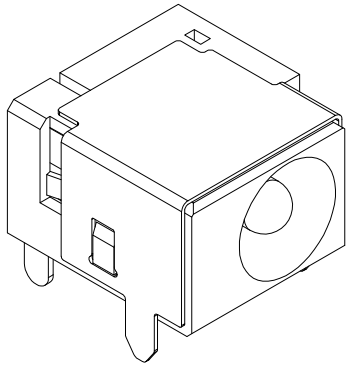
C

B

A

ZONE	SYMBOL	REVISION	APPROVAL	DATE

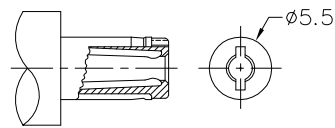
RoHS
Compliant



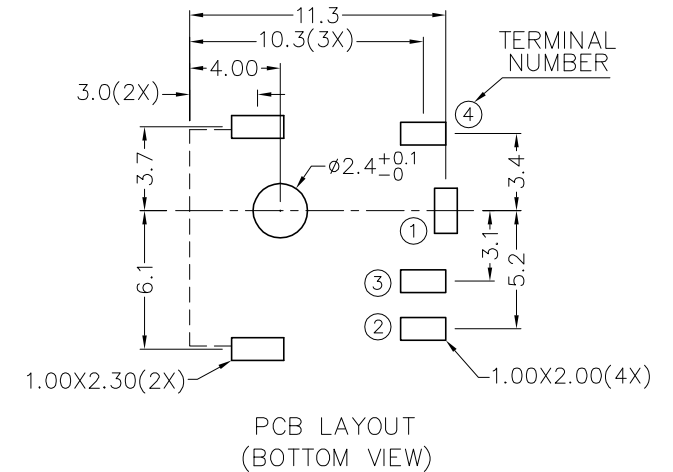
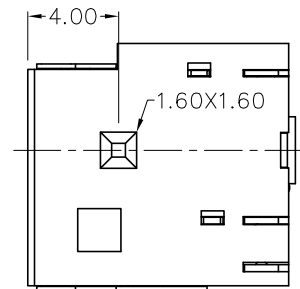
* MATERIAL

CENTRE PIN : COPPER
 TERMINAL 1 : BRASS
 TERMINAL 2 : COPPER ALLOY
 TERMINAL 3 : BRASS
 TERMINAL 4 : COPPER ALLOY
 SHIELD : BRASS
 HOUSING : PBT

MODEL NO.	TDC-074S
SCHEMATIC	
CENTER PIN	$\phi 1.65\text{mm}$
	$\phi 2\text{mm}$
	$\phi 2.5\text{mm}$



DC MATE PLUG



PCB LAYOUT
(BOTTOM VIEW)



CHAMPWAY 冠泰電子有限公司
 CHAMPWAY ELECTRONICS CO., LTD.

DESIGN	X.N.ZHENG	DATE	17-12-2007	SCALE	3:1
DRAWING	X.N.ZHENG	DATE	17-12-2007	MATERIAL	*
PART NAME	DC POWER SOCKET	TOLERANCE UNLESS	0.0±0.2	CHECK	DATE
PART NO.	TDC-074S	OTHERWISE SPECIFIED:	0.00±0.1 0.000±0.05	APPROVAL	DATE
UNIT:	mm			DWG. NO.	TZ\DC074S-PBT/A
				SHEET	

F

E

D

C

B

A