

F

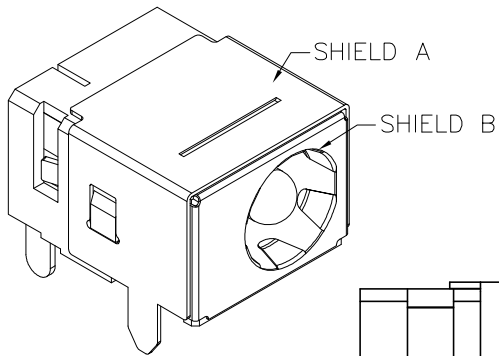
E

D

C

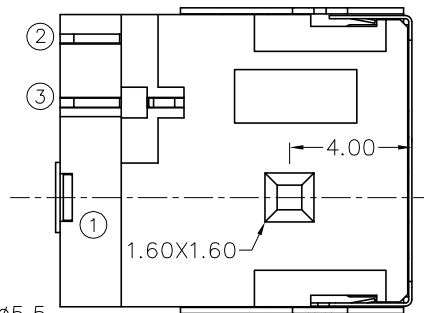
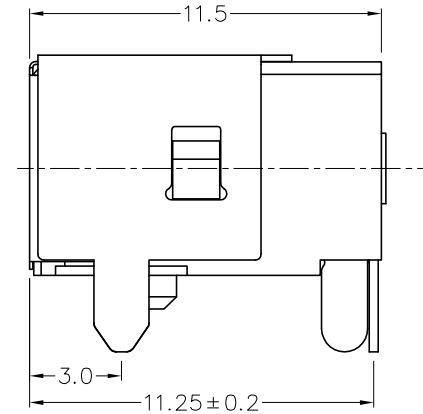
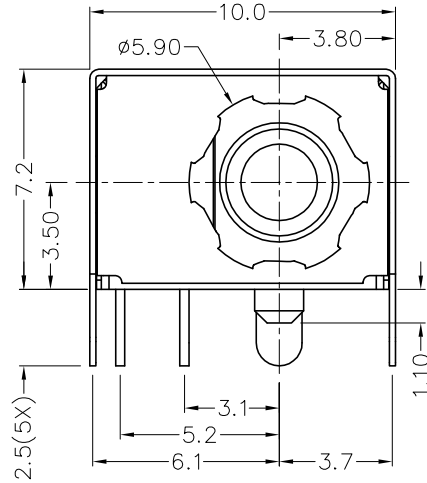
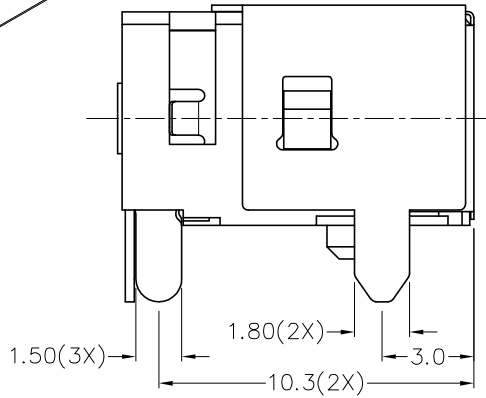
B

A



RoHS  
Compliant

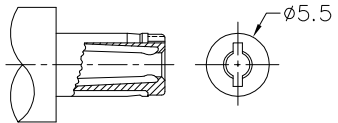
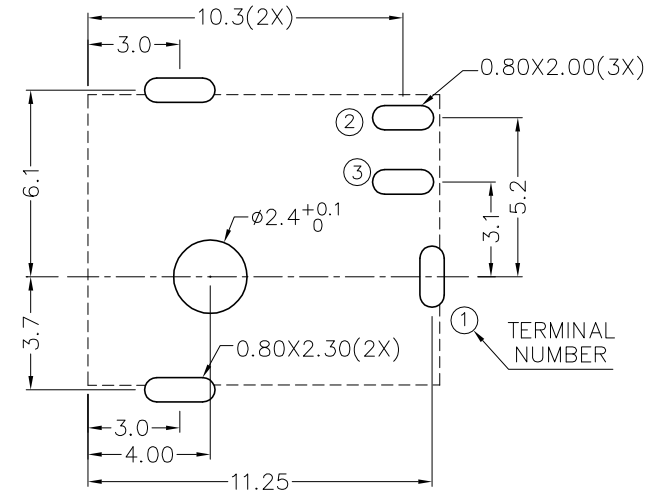
ZONE	SYMBOL	REVISION	APPROVAL	DATE



\* MATERIAL

- CENTRE PIN : COPPER
- TERMINAL 1 : BRASS
- TERMINAL 2 : COPPER ALLOY
- TERMINAL 3 : BRASS
- SHIELD-A : BRASS
- SHIELD-B : STAINLESS STEEL
- HOUSING : PA6T

MODEL NO.	TDC-086HS
SCHEMATIC	
CENTER PIN	ø1.65mm
	ø2mm
	ø2.5mm



DC MATE PLUG

**CHAMPWAY** 冠泰電子有限公司  
CHAMPWAY ELECTRONICS CO., LTD.

DESIGN	H.L.TAN	DATE	29-4-2010	SCALE	4:1
DRAWING	H.L.TAN	DATE	29-4-2010	MATERIAL	*
CHECK		DATE		DWG. NO.	TZ\DC086HS-PA6T/A
APPROVAL		DATE		SHEET	

PART NAME	HIGH CURRENT DC POWER SOCKET	TOLERANCE UNLESS	0.0±0.2	UNIT:
PART NO.	TDC-086HS	OTHERWISE SPECIFIED:	0.00±0.1 0.000±0.05	

F

E

D

C

B

A