

F

E

D

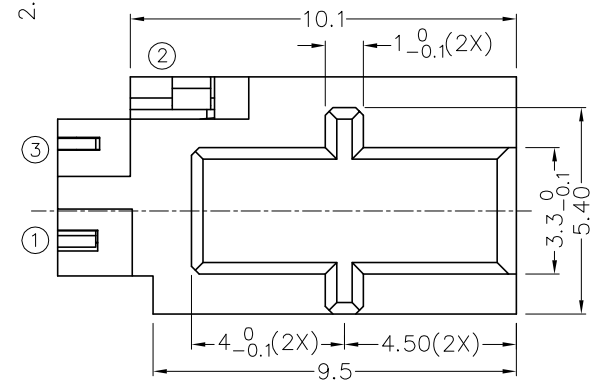
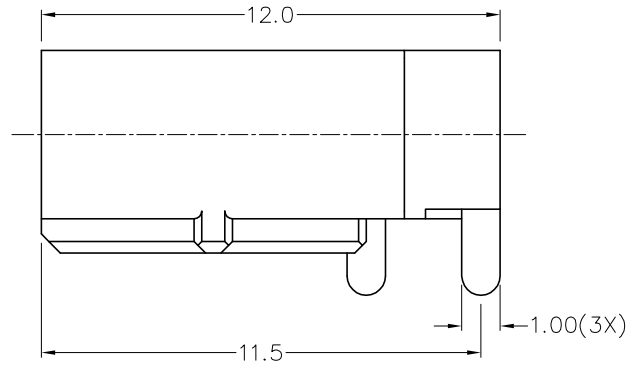
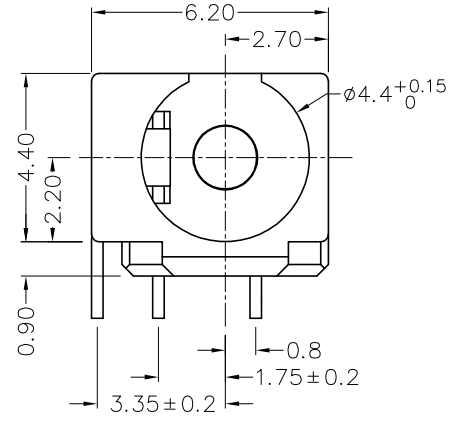
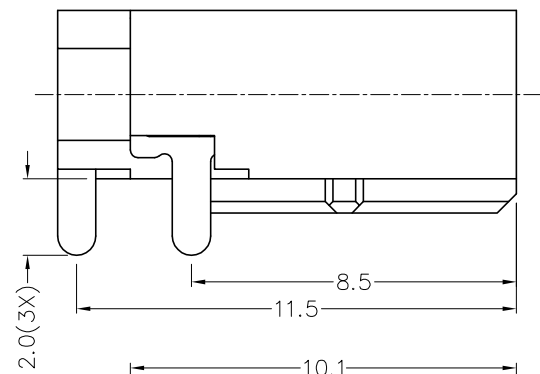
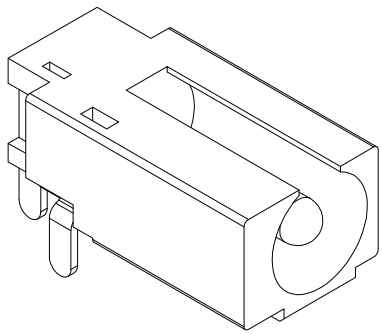
C

B

A

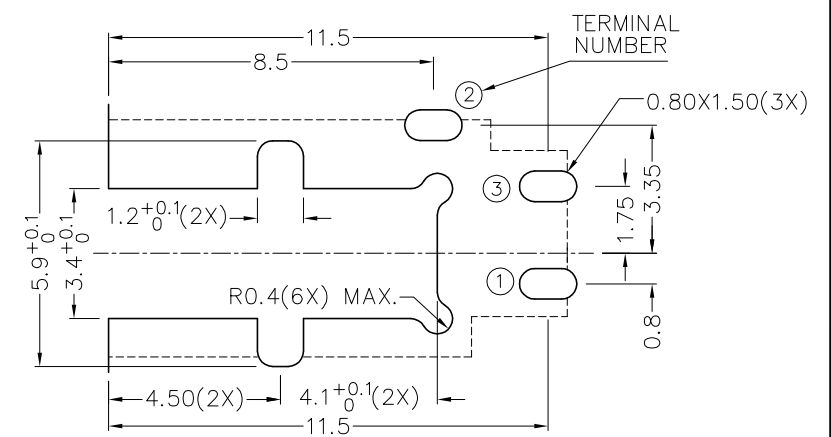
RoHS
Compliant

ZONE	SYMBOL	REVISION	APPROVAL	DATE

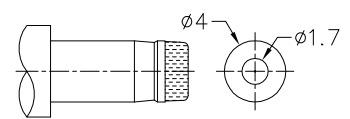


*** MATERIAL**
 TERMINAL 1 : BRASS
 TERMINAL 2 : COPPER ALLOY
 TERMINAL 3 : BRASS
 HOUSING : PA66

MODEL NO.	TDC-087
SCHEMATIC	
CENTER PIN	$\phi 1.65\text{mm}$



PCB LAYOUT
(TOP VIEW)



DC MATE PLUG

CHAMPWAY 冠泰電子有限公司
 CHAMPWAY ELECTRONICS CO., LTD.

DESIGN	G.P. YI	DATE	18-11-2009	SCALE	5:1
DRAWING	G.P. YI	DATE	18-11-2009	MATERIAL	*
CHECK		DATE		DWG. NO.	TZ\DC087-PA66/A
APPROVAL		DATE		SHEET	

PART NAME	DC POWER SOCKET	TOLERANCE UNLESS	0.0±0.2	UNIT:	
PART NO.	TDC-087	OTHERWISE SPECIFIED:	0.00±0.1 0.000±0.05	mm	

F

E

D

C

B

A