

F

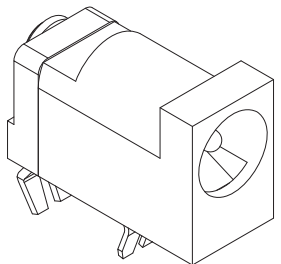
E

D

C

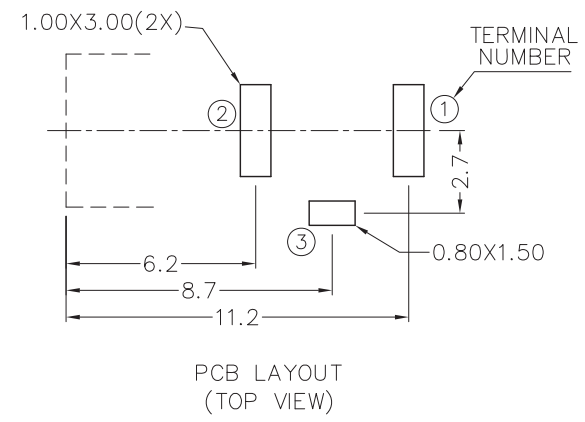
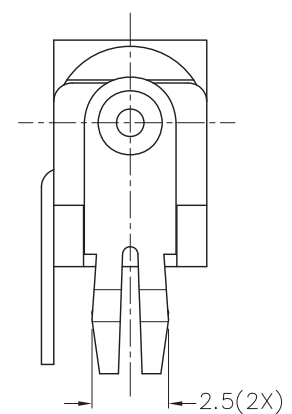
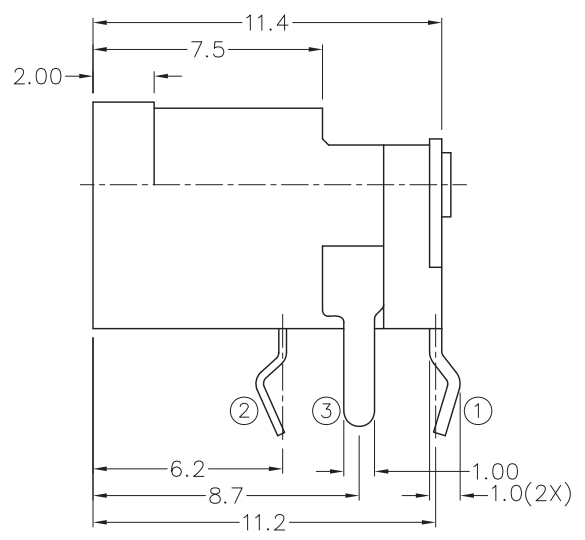
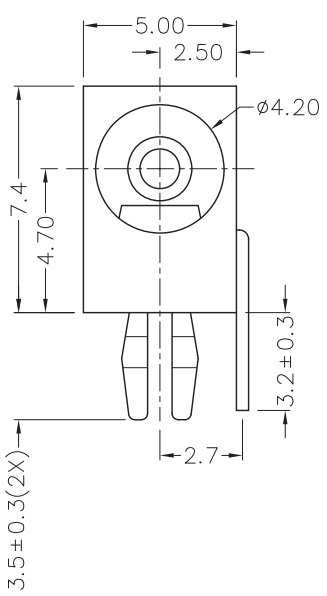
B

A



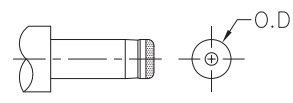
RoHS
Compliant

ZONE	SYMBOL	REVISION	APPROVAL	DATE
		MODIFY LAYOUT	J.X.KUANG	7-12-2011



* MATERIAL

- CENTRE PIN : COPPER
- TERMINAL 1 : BRASS
- TERMINAL 2 : COPPER ALLOY
- TERMINAL 3 : BRASS
- HOUSING : PBT
- COVER : PBT



DC MATE PLUG

MODEL NO.	TDC-009-2	TDC-009-2
SCHEMATIC		
CENTER PIN	ø1mm	ø1.65mm
DC PLUG O.D.	ø3.4mm	ø4mm



CHAMPWAY 冠泰電子有限公司
CHAMPWAY ELECTRONICS CO., LTD.

DESIGN	J.X.KUANG	DATE	8-10-2003	SCALE	4:1
DRAWING	T.Y.LI	DATE	7-12-2011	MATERIAL	*
CHECK		DATE		DWG. NO.	TZ\DC009-2-PBT/D
APPROVAL		DATE		SHEET	

PART NAME	DC POWER SOCKET	TOLERANCE UNLESS	0.0±0.2	UNIT:	
PART NO.	TDC-009-2	OTHERWISE SPECIFIED:	0.00±0.1 0.000±0.05	mm	

F

E

D

C

B

A