

F

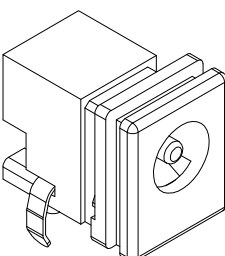
E

D

C

B

A

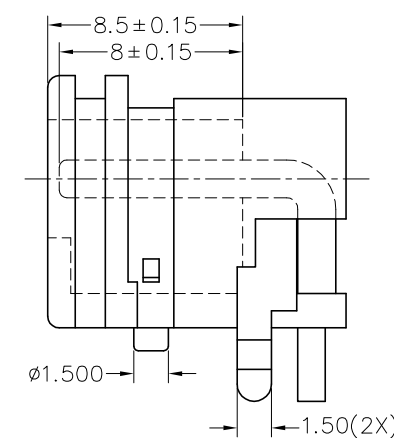
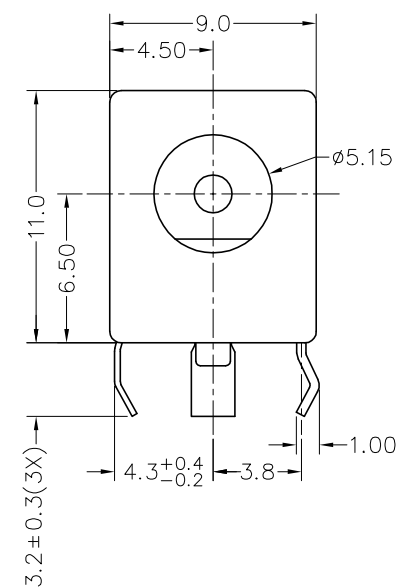
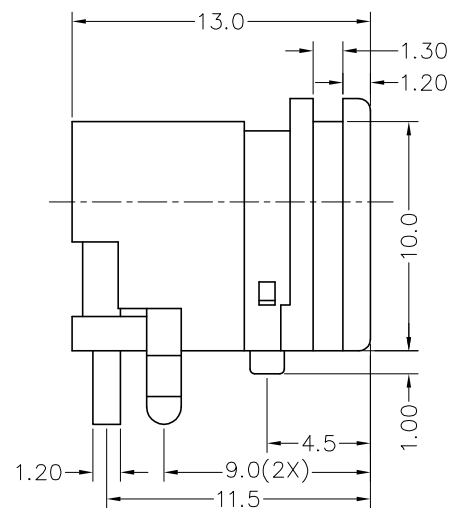
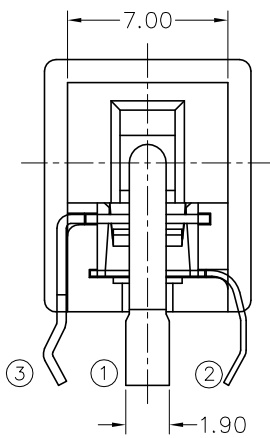


RoHS  
Compliant

ZONE	SYMBOL	REVISION	APPROVAL	DATE
		UPDATE DIM.	J.X.KUANG	13-5-2011

1

1

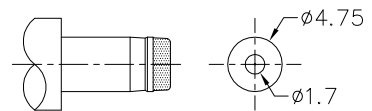


2

2

3

3

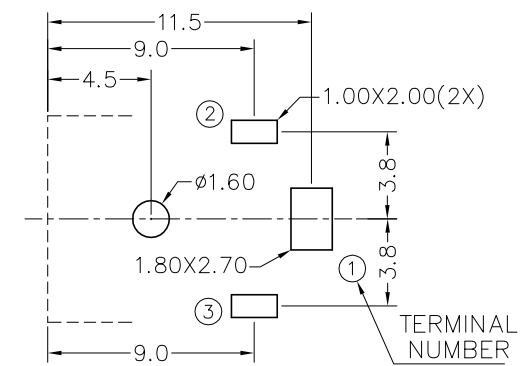


DC MATE PLUG

MODEL NO.	TDC-024
SCHEMATIC	1, 2, 3
CENTRE PIN	ø1.65mm

\* MATERIAL

- TERMINAL 1 : BRASS
- TERMINAL 2 : COPPER ALLOY
- TERMINAL 3 : BRASS
- HOUSING : PBT



PCB LAYOUT  
(TOP VIEW)

4

4



PART NAME		DC POWER SOCKET		TOLERANCE UNLESS		0.0±0.2		UNIT:		DESIGN	K.Y.AU-YEUNG	DATE	10-10-2003	SCALE	3:1
PART NO.		TDC-024		OTHERWISE SPECIFIED:		0.00±0.1		mm		DRAWING	G.L.YI	DATE	13-5-2011	MATERIAL	*
						0.000±0.05				CHECK		DATE		DWG. NO.	TZ\DC024-PBT/C
										APPROVAL		DATE		SHEET	

F

E

D

C

B

A