

F

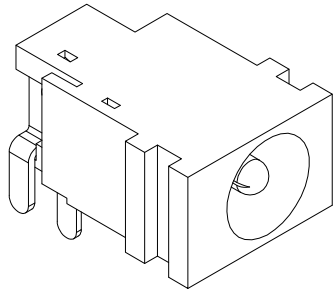
E

D

C

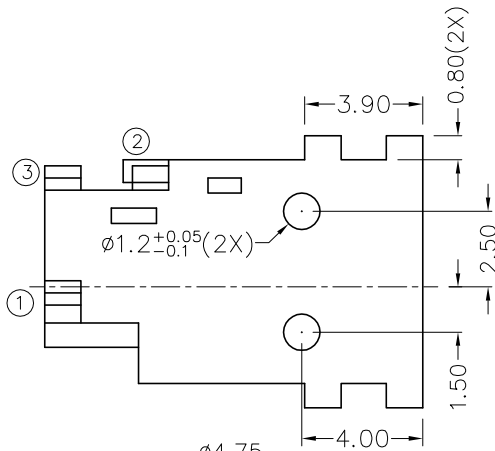
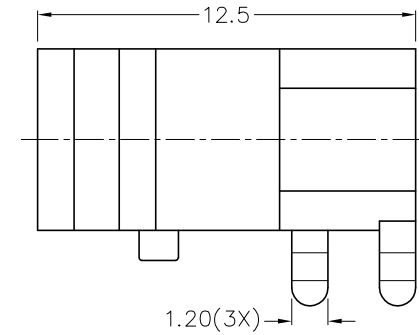
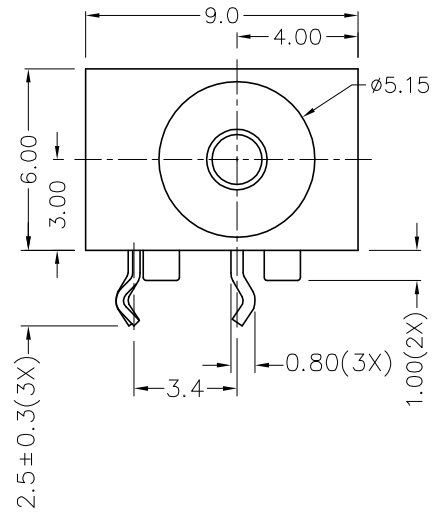
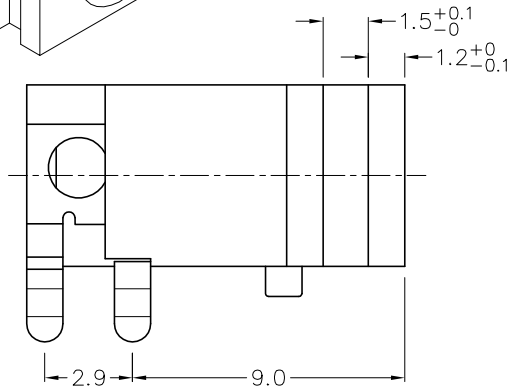
B

A



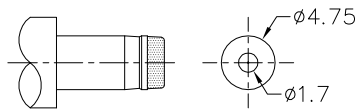
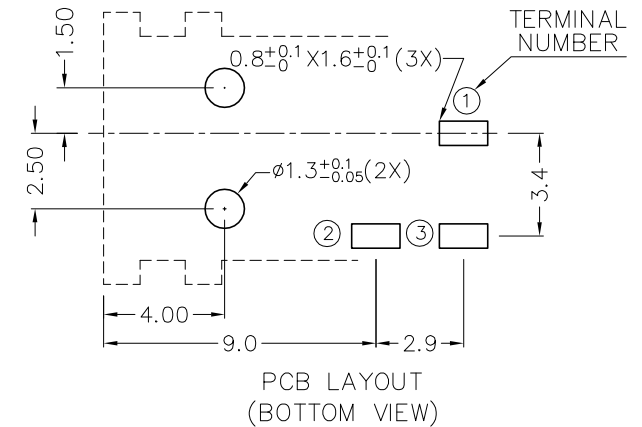
RoHS
Compliant

ZONE	SYMBOL	REVISION	APPROVAL	DATE
		ADD RoHS Compliant	J.X.KUANG	8-7-2006



* MATERIAL

TERMINAL 1 : BRASS
 TERMINAL 2 : COPPER ALLOY
 TERMINAL 3 : BRASS
 HOUSING : PA66



DC MATE PLUG

MODEL NO.	TDC-026-2
SCHEMATIC	
CENTER PIN	ø1.65mm



CHAMPWAY 冠泰電子有限公司
 CHAMPWAY ELECTRONICS CO., LTD.

DESIGN	T.Y.LI	DATE	2-2-2004	SCALE	4:1
DRAWING	T.Y.LI	DATE	8-7-2006	MATERIAL	*
CHECK		DATE		DWG. NO.	TZ\DC026-2-PA66/B
APPROVAL		DATE		SHEET	

PART NAME	DC POWER SOCKET	TOLERANCE UNLESS	0.0±0.2	UNIT:	
PART NO.	TDC-026-2	OTHERWISE SPECIFIED:	0.00±0.1 0.000±0.05	mm	

F

E

D

C

B

A

DCF-04/A