

F

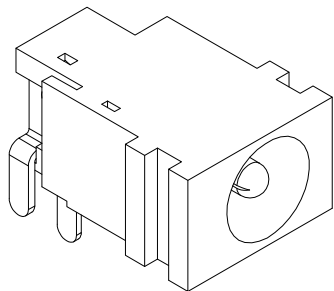
E

D

C

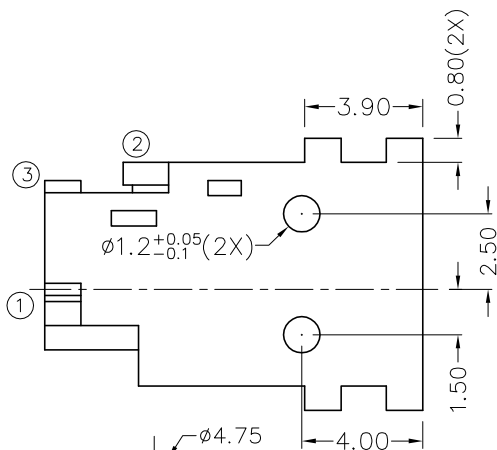
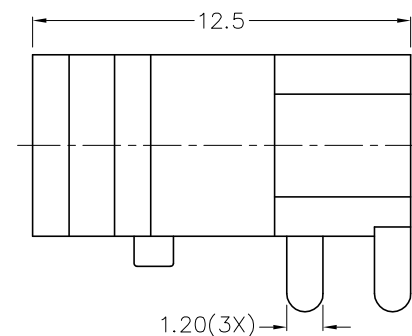
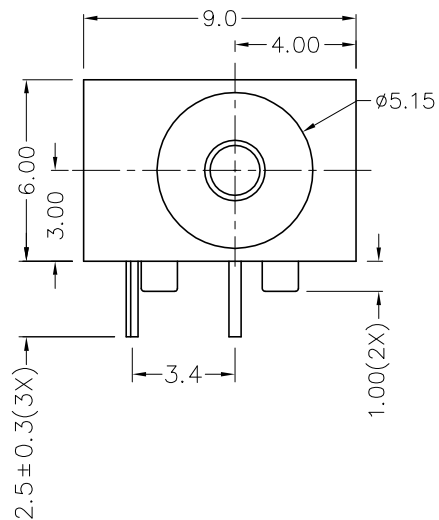
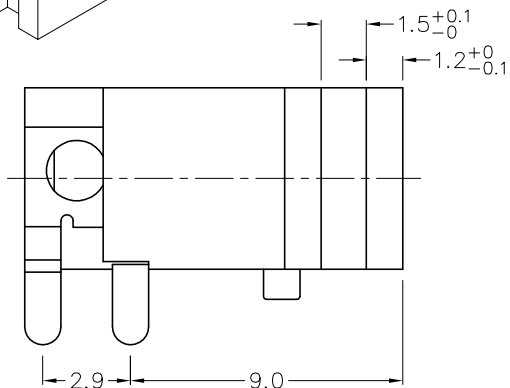
B

A



RoHS
Compliant

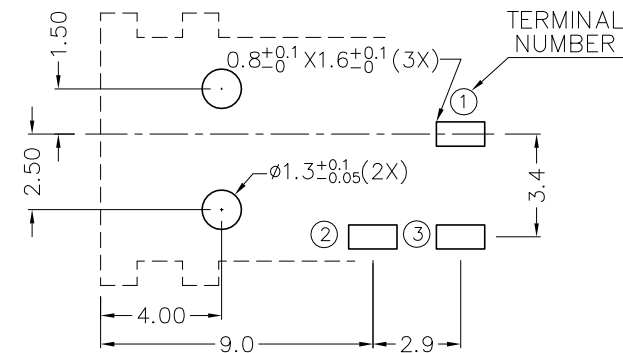
ZONE	SYMBOL	REVISION	APPROVAL	DATE
		ADD RoHS Compliant	J.X.KUANG	8-7-2006



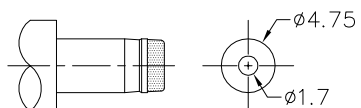
* MATERIAL

TERMINAL 1 : BRASS
TERMINAL 2 : COPPER ALLOY
TERMINAL 3 : BRASS
HOUSING : PA66

MODEL NO.	TDC-026
SCHEMATIC	
CENTER PIN	φ1.65mm



PCB LAYOUT
(BOTTOM VIEW)



DC MATE PLUG



CHAMPWAY 冠泰電子有限公司
CHAMPWAY ELECTRONICS CO., LTD.

DESIGN	T.Y.LI	DATE	10-10-2003	SCALE	4:1
DRAWING	T.Y.LI	DATE	8-7-2006	MATERIAL	*
CHECK		DATE		DWG. NO.	TZ\DC026-PA66/B
APPROVAL		DATE		SHEET	

PART NAME	DC POWER SOCKET	TOLERANCE UNLESS	0.0±0.2	UNIT:	
PART NO.	TDC-026	OTHERWISE SPECIFIED:	0.00±0.1 0.000±0.05	mm	

F

E

D

C

B

A

DCF-04/A