

F

E

D

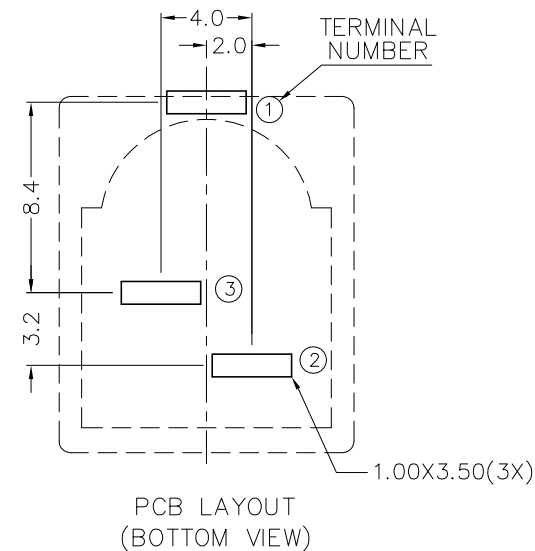
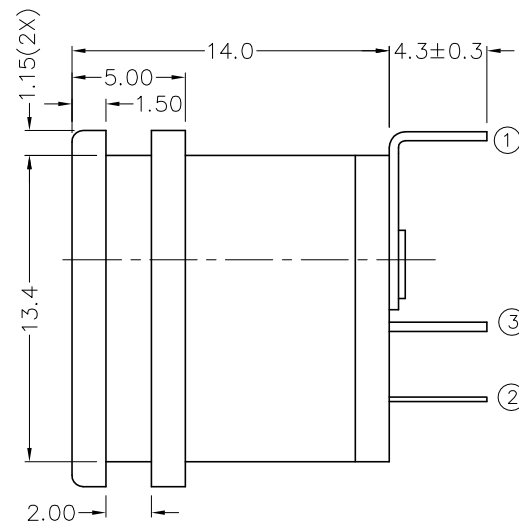
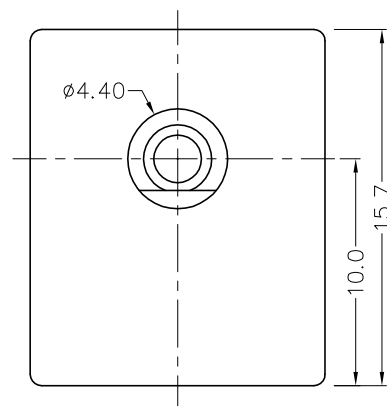
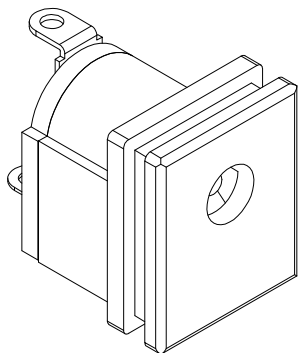
C

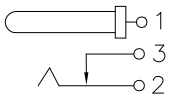
B

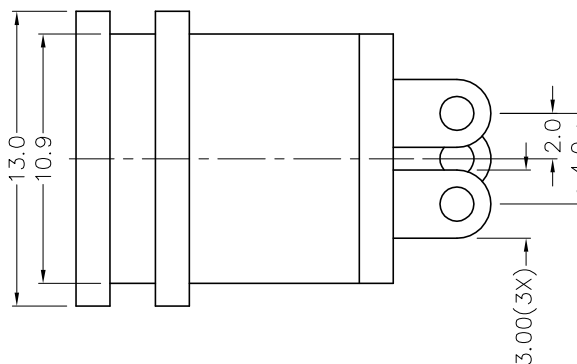
A

RoHS
Compliant

ZONE	SYMBOL	REVISION	APPROVAL	DATE
		ADD MATE PLUG	J.X.KUANG	29-9-2006

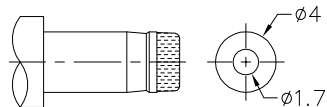


MODEL NO.	TDC-029
SCHEMATIC	
CENTER PIN	ø1.65mm



* MATERIAL

CENTRE PIN : COPPER
 TERMINAL 1 : BRASS
 TERMINAL 2 : COPPER ALLOY
 TERMINAL 3 : BRASS
 HOUSING : PBT
 COVER : PBT



DC MATE PLUG



CHAMPWAY 冠泰電子有限公司
 CHAMPWAY ELECTRONICS CO., LTD.

DESIGN	J.M.KWAN	DATE	10-10-2003	SCALE	3:1
DRAWING	L.L.ZHANG	DATE	29-9-2006	MATERIAL	*
CHECK		DATE		DWG. NO.	TZ\DC029-PBT/B
APPROVAL		DATE		SHEET	

PART NAME	DC POWER SOCKET	TOLERANCE UNLESS	0.0±0.2	UNIT:	mm
PART NO.	TDC-029	OTHERWISE SPECIFIED:	0.00±0.1 0.000±0.05		

F

E

D

C

B

A

DCF-04/A