

F

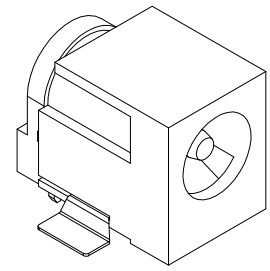
E

D

C

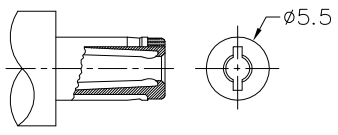
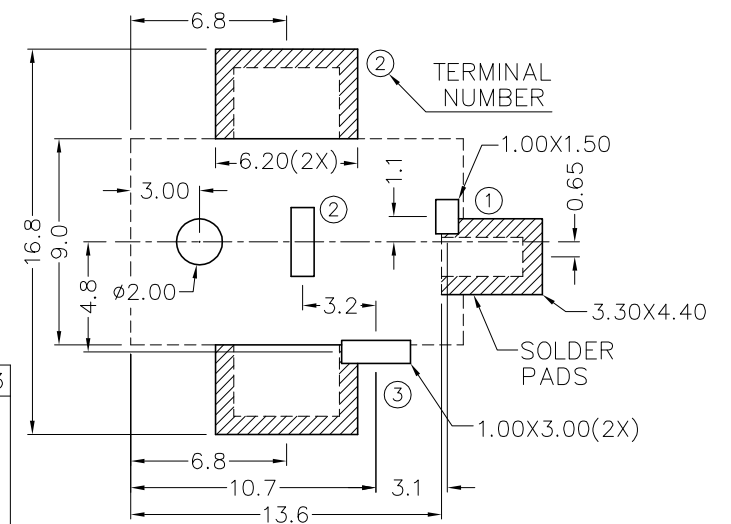
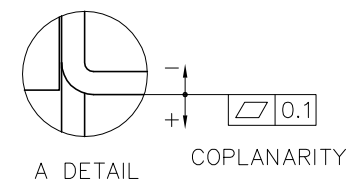
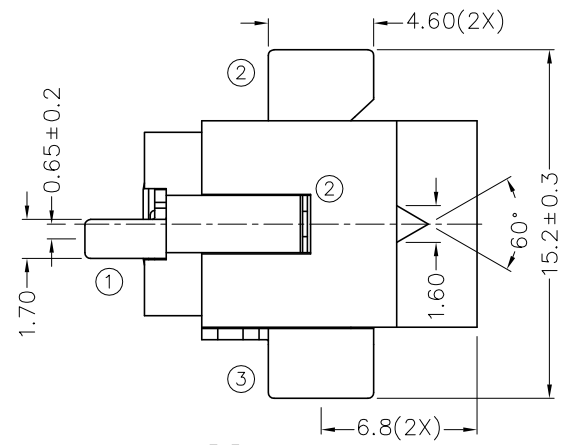
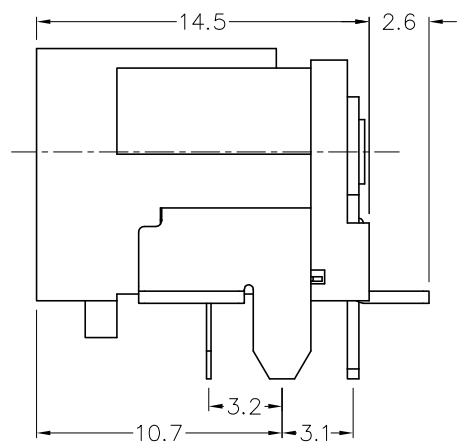
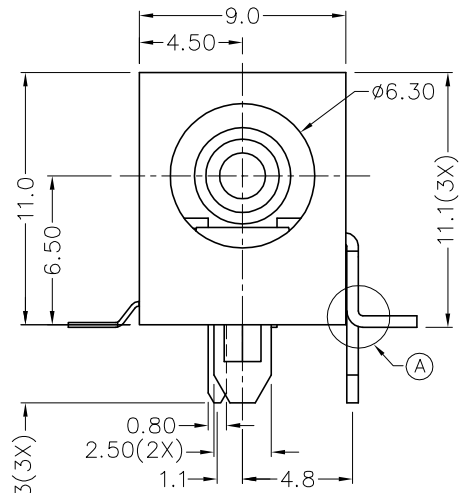
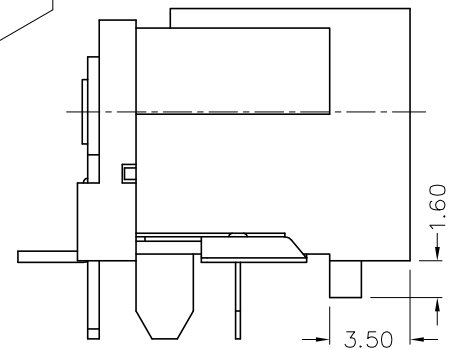
B

A



RoHS
Compliant

| ZONE | SYMBOL | REVISION | APPROVAL | DATE |
|------|--------|---------------------------------|-----------|-----------|
| | | ADDED INDICATION OF COPLANARITY | J.X.KUANG | 29-4-2010 |
| | | | | |
| | | | | |



DC MATE PLUG

* MATERIAL
 CENTRE PIN : COPPER
 TERMINAL 1 : BRASS
 TERMINAL 2 : COPPER ALLOY
 TERMINAL 3 : BRASS
 HOUSING : PA6T
 COVER : PA6T

| | |
|------------|----------------|
| MODEL NO. | TDC-061DH-3 |
| SCHEMATIC | |
| CENTER PIN | φ2mm φ2.5mm |

CHAMPWAY 冠泰电子有限公司
 CHAMPWAY ELECTRONICS CO., LTD.

| | | | | | |
|----------|--------|------|-----------|----------|---------------------|
| DESIGN | T.Y.LI | DATE | 5-7-2005 | SCALE | 3:1 |
| DRAWING | T.Y.LI | DATE | 29-4-2010 | MATERIAL | * |
| CHECK | | DATE | | DWG. NO. | TZ\DC061DH-3-PA6T/C |
| APPROVAL | | DATE | | SHEET | |

| | | | | | |
|-----------|----------------------------------|----------------------|------------------------|-------|--|
| PART NAME | HIGH CURRENT SMD DC POWER SOCKET | TOLERANCE UNLESS | 0.0±0.2 | UNIT: | |
| PART NO. | TDC-061DH-3 | OTHERWISE SPECIFIED: | 0.00±0.1 0.000±0.05 | mm | |

F

E

D

C

B

A