

F

E

D

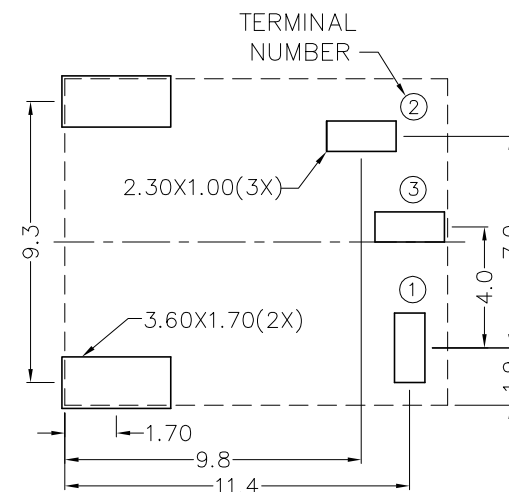
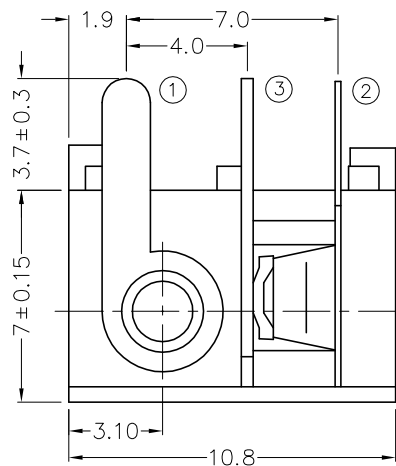
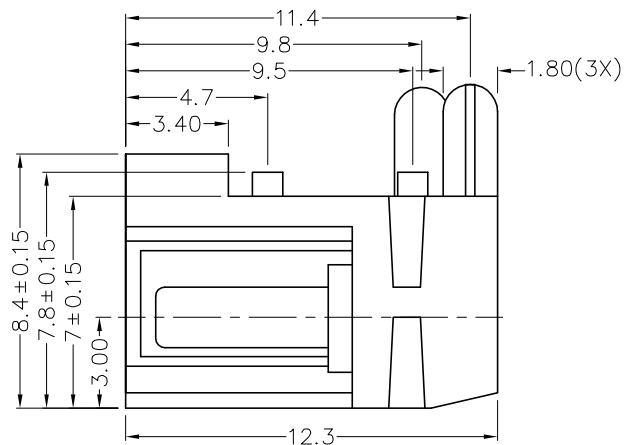
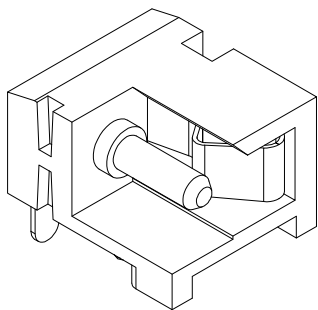
C

B

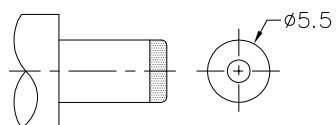
A

ZONE	SYMBOL	REVISION	APPROVAL	DATE
		ADD MATE PLUG	J.X.KUANG	20-9-2006

RoHS
Compliant



PCB LAYOUT
(BOTTOM VIEW)



DC MATE PLUG

MODEL NO.	TDC-003
SCHEMATIC	
CENTER PIN	ø2mm
	ø2.5mm

* MATERIAL

CENTRE PIN : COPPER
 TERMINAL 1 : BRASS
 TERMINAL 2 : COPPER ALLOY
 TERMINAL 3 : BRASS
 HOUSING : PBT



CHAMPWAY 冠泰電子有限公司
 CHAMPWAY ELECTRONICS CO., LTD.

DESIGN	J.M.KWAN	DATE	8-10-2003	SCALE	4:1
DRAWING	L.L.ZHANG	DATE	20-9-2006	MATERIAL	*
CHECK		DATE		DWG. NO.	TZ\DC003-PBT/B
APPROVAL		DATE		SHEET	

PART NAME	DC POWER SOCKET	TOLERANCE UNLESS	0.0±0.2	UNIT: mm
PART NO.	TDC-003	OTHERWISE SPECIFIED:	0.00±0.1 0.000±0.05	

F

E

D

C

B

A

DCF-04/A