

F

E

D

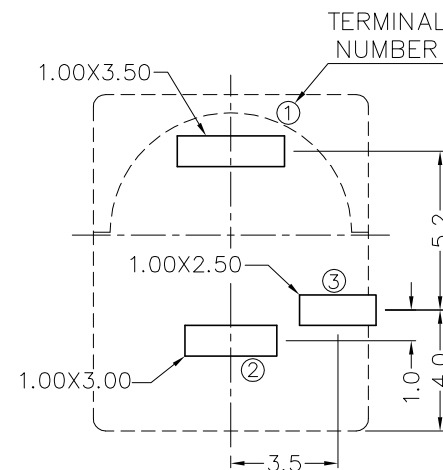
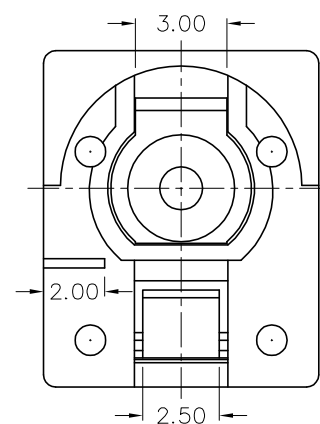
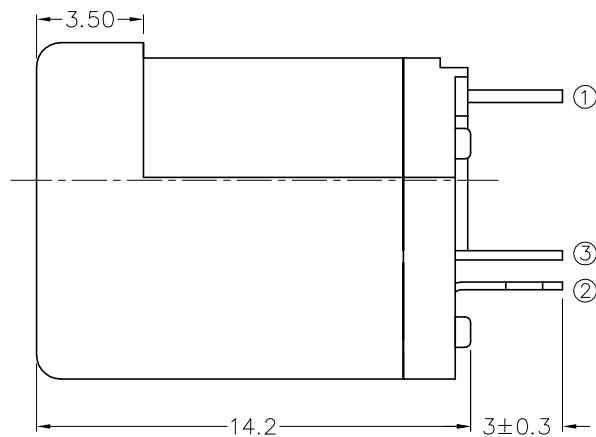
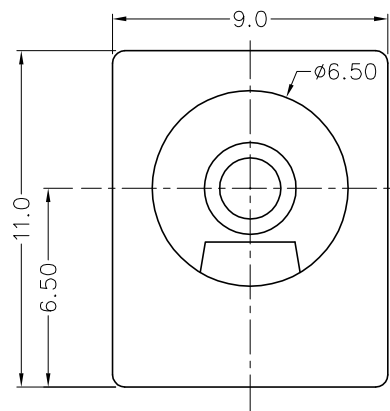
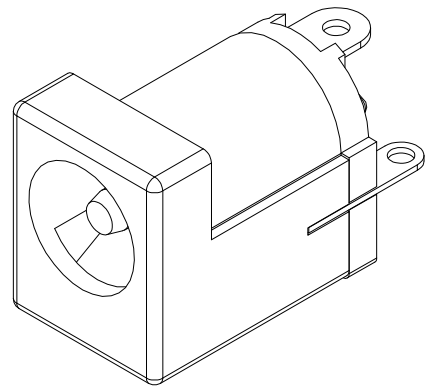
C

B

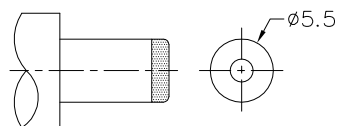
A

ZONE	SYMBOL	REVISION	APPROVAL	DATE
		COVER STRUCTURE MODIFIED	J.X.KUANG	2-4-2010

RoHS
Compliant



PCB LAYOUT
(TOP VIEW)



DC MATE PLUG

MODEL NO.	TDC-030
SCHEMATIC	
CENTER PIN	ø2mm
	ø2.5mm

* MATERIAL

- CENTRE PIN : COPPER
- TERMINAL 1 : BRASS
- TERMINAL 2 : COPPER ALLOY
- TERMINAL 3 : BRASS
- HOUSING : PBT
- COVER : PBT

CHAMPWAY 冠泰電子有限公司
CHAMPWAY ELECTRONICS CO., LTD.

PART NAME	DC POWER SOCKET	TOLERANCE UNLESS	0.0±0.2	UNIT:
PART NO.	TDC-030	OTHERWISE SPECIFIED:	0.00±0.1 0.000±0.05	

DESIGN	T.Y.LI	DATE	30-3-2004	SCALE	4:1
DRAWING	H.L.TAN	DATE	2-4-2010	MATERIAL	*
CHECK		DATE		DWG. NO.	TZ\DC030-PBT/D
APPROVAL		DATE		SHEET	

F

E

D

C

B

A